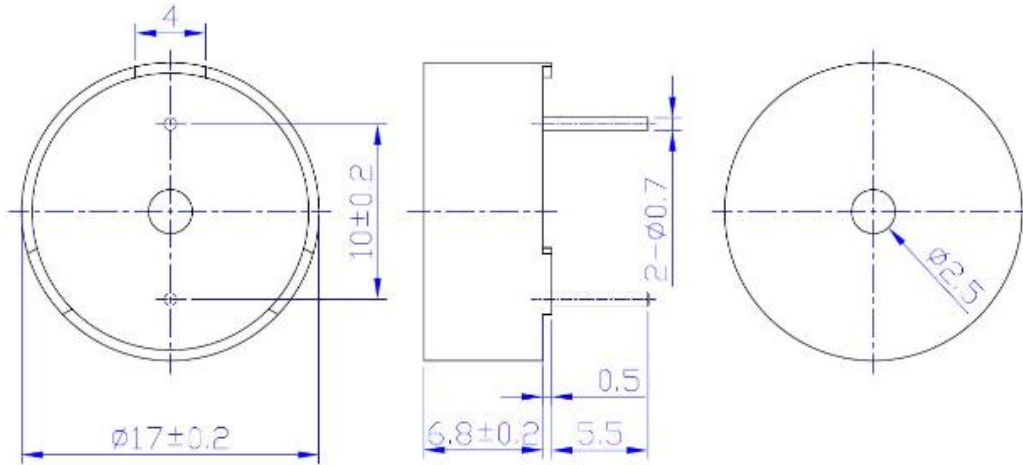




Electrical Specifications

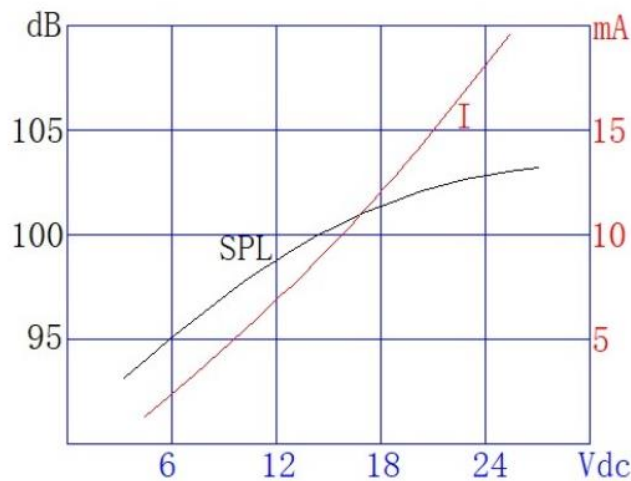
PARAMETERS		VALUE	UNIT
Operating Frequency		3800 ±500	Hz
Operating Voltage, max		3 ~ 20	Vp-p
Rated Voltage		9	Vp-p
Sound Output , min	@ 9 VDC, 30 cm, 25°C	88	dB
Operating Current, typ	@ 9 VDC, 25°C	15	mA
High Temperature Reliability	No function for 240 hours	+90 ±2	°C
	Function for 240 hours	+85 ±2	°C
Low Temperature Reliability	No function for 240 hours	-40 ±2	°C
	Function for 240 hours	-40 ±2	°C
Life Test	At 9 VDC in room temperature continuously	1000	h
Relative Humidity	@ 60 ±2 °C, R.H 120 hours	95 ±5%	%
Operating Temperature Range		-40 ~ +85	°C
Storage Temperature Range		-40 ~ +90	°C
Termination		2 pins, Electro-tin, plated brass	-
Termination Strength		9.8	N
Diaphragm		Brass Disc	-
Weight, typ		3.2	g
Thermal Cycle		+40±2°C, 1h +20±2°C ,5min +85±2°C , 1h +20°C ,5min	5 cycles
Vibration	@ 10 to 50Hz of vibration frequency to each of 3 perpendicular directions for 2 hours	1.5	mm
Shock	@ Shock for each mutually perpendicular directions, half sine wave, 3 times each	980	m/s ²
Drop Test	Dropped naturally from 750mm height onto the surface of 10mm wooden board. 2 directions – upper and side of the part are applied		

Dimension



Unit: mm

Frequency Characteristics



APPROVAL

DRAWN BY	AR, November 21, 2023
APPROVED BY	CP, November 21, 2023
REVISION	A, Initial Release

Raltron Electronics / RAMI Technology USA, LLC, including its affiliates, employees, agents and other persons acting on its behalf (collectively Raltron/RAMI Tech), disclaim any and all liability for any errors or inaccuracies contained in this data sheet. While Raltron/RAMI Tech has made every reasonable effort to ensure the accuracy of all product information, specifications and data contained herein, Raltron/RAMI Tech does not guarantee that the information is accurate, reliable or current. The product information is provided only for reference purposes only and is subject to change, correction or revision, at any time without notice. Raltron/RAMI Tech does not assume any liability arising out of an application or use of any product described herein and disclaims any warranties expressed or implied. The user of products in such applications shall assume all risks of such use and will agree to hold Raltron/RAMI Tech, harmless against all damages.



A **RAMI TECHNOLOGY** Company

BUZZER

Page 3 of 3

RBE-3.800-1768-NS1

Copyright © 2016, Raltron Electronics / RAMI Technology USA, LLC. All rights reserved. No part of this document may be reproduced in any form without the prior written permission of Raltron Electronics / RAMI Technology USA, LLC.