



R&D Dept.

EL-KOM Elektronik San.ve Tic.Ltd.Şti.

Address : Haramidere Mevkii, Beysan Sanayi Sitesi

Birlik Cad. No:21, Beylikdüzü - İSTANBUL / TÜRKİYE

Phone : (+90212) 422 86 00 (6 line)

Fax : (+90212) 422 83 83

web : www.el-kom.com.tr

e-mail : info@el-kom.com.tr

R&D : rd@el-kom.com.tr



SPECIFICATION FOR APPROVAL

Description : PCB type transformer

Type : EI30/18

Model : 2,8 VA

Customer :

Customer code :

EL-KOM code : **RN130649**

First edition date : 18.07.2024

CONTENTS

	Page
Approval sheet	1
1. Introductory information	2
2. Mechanical Data	2
3. Electrical Data	3
4. Material List	4
5. Safety	5
6. Marking	5

Approved by :	Customer's remark
Approval date :	

Rev.No: 0	Rev.date:	Reason of rev.:
Issued by: Oğuzhan ERDOĞAN	Refer. No: RN130649	Page : 1 / 5
Her hakkı saklıdır. Yazılı izin olmadan bu dökümanın hiç bir kısmı kopya, kayıt, basım veya diğer herhangi bir şekilde çoğaltılamaz ve yayınlanamaz.		All rights reserved. Reproduction or issue to third parties in any form whatever is not permitted without written authority from the proprietors.

1. Introductory Information


1.1 Definition

* This transformer is appropriated for application in a low power supply.

1.2 Description

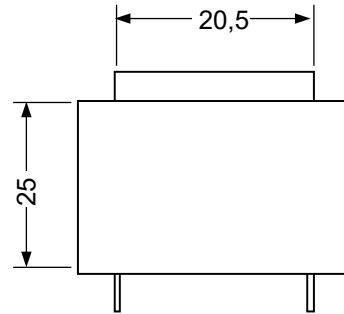
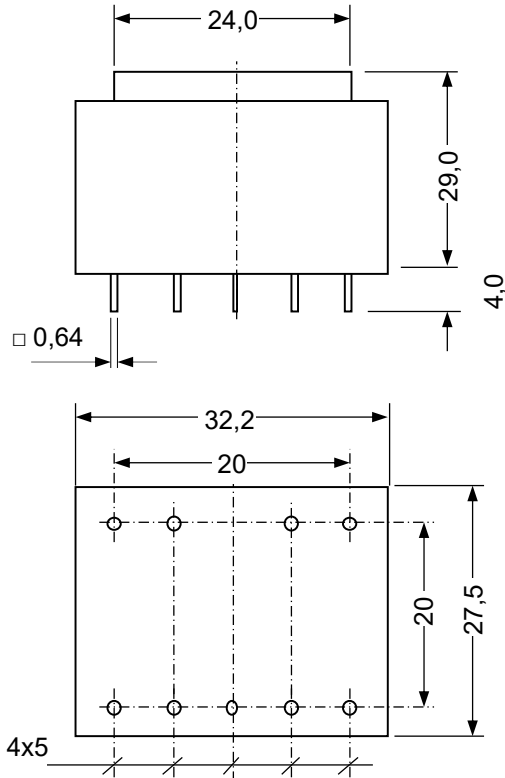
- * Two chamber bobbin
- * Vacuum epoxy resin moulded
- * 100% tested
- * Other primary and secondary parameters

1.3 Standarts and certificates

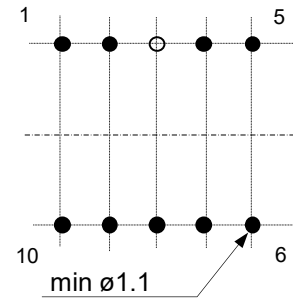
- * Flammability level..... UL 94V-0
- * Protection index..... IP 00
- * Solderability..... Acc. to IEC 68.2.20 (Method 1)
- * Insulation system..... UL - class 105 ; VDE - B class
- * Safety isolating..... Acc. to EN 61558-1 (VDE 0570 Teil 1):2006-07; EN 61558-1:2005-11
EN 61558-1/A1 (VDE 0570 Teil 1/A1):2009-11; EN 61558-1/A1:2009-03
EN 61558-2-6 (VDE 0570 Teil 2-6):2010-04; EN 61558-2-6:2009-08
- * Safety class..... class II
- * Ambient temperature..... +40°C
- * Short circuit proof..... 

2. Mechanical Data

2.1 Drawing



2.2 Pin configuration (Bottom side)



Positions : ● With pin
○ Without pin

General tolerance: $\pm 0,2$ mm

3. Elektrical Data

3.1 Static characteristics (All measurement at $T=23\pm 2^{\circ}\text{C}$)

<u>Parameters</u>	<u>Value</u>	<u>Conditions</u>
* Withstanding voltage.....	4 000 Vac	(50Hz / 2mA / 5sec.)
* Insulation Resistance.....	>500 M Ω	(U = 500V)

3.2 Dynamic characteristics

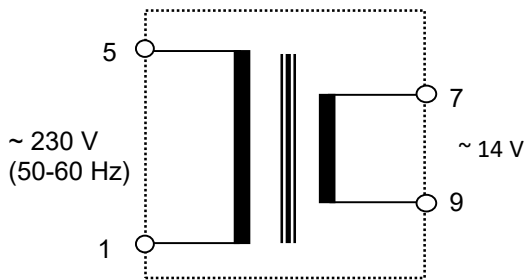
2.2.1 Input parameters

* Input Voltage.....	230 Vac
* Frequency.....	50-60 Hz
* Max. input current.....	40,0 mA
* PRI (no-load loss).....	1,0 W (max)
* Efficiency.....	57 %

2.2.2 Output parameters

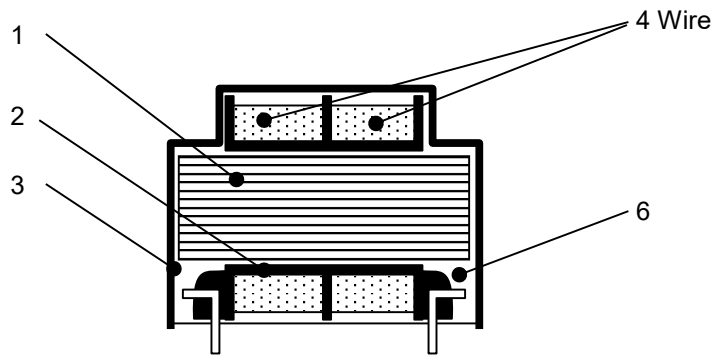
* Output Voltage.....	14,0 Vac ($\pm 5\%$)
* Nom. output current.....	200 mA
* Sec. (no-load volt. x factor).....	1,50
* Output power.....	2,80 VA


3.3 Circuit Diagram



4. Material list A.S

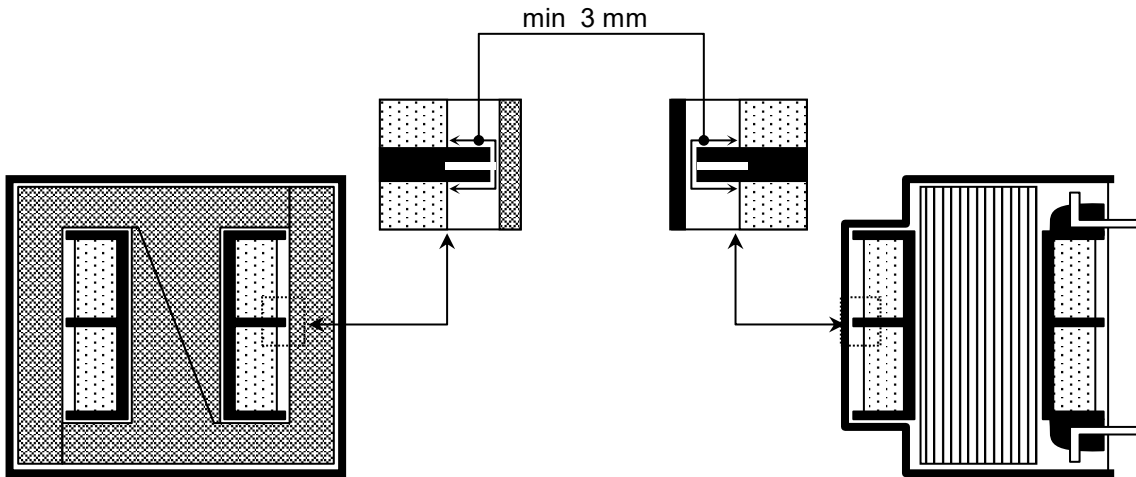
Nr.	Part Name	Type	Property / T.M.	Manufacturer	Standart / Certificate
1.	Core	EI30	M530-50 A	TEMA METAL TR	
2.	Coil Former	EI30/18 (with pins)	Ultramid A3U42G6	BASF SE	UL 94V-0 E41871
3.	Box (cover)	EI30/18	Ultramid A3X2G5	BASF SE	UL 94V-0 E41871
			Ultramid A3U42G6		
4.	Winding Wire	Enamelled Cu wire (Grade 1)	Elsan CUR155S	ELSAN ELEKTRİK A.S.	UL510 E255643
			EMTPOL (155°C)	EMTEL EMAYE A.S.	UL510 E336772
5.	Solder	Pb-Free	Sn-99,3% Cu-0,7%	Feray / TR	RoHS
6.	Potting resin	Epoxy Casting Compound	WCC-87	YIXING PULITAI CO.	UL 94V-0 E228453
7.	Marking		Label or Stamp		



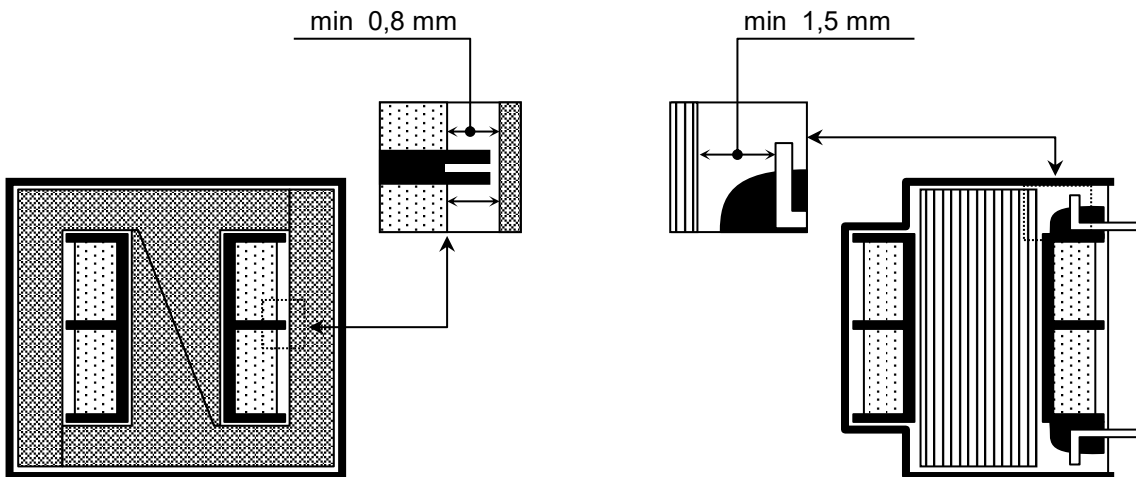
	SPECIFICATION FOR APPROVAL		Customer code or application:	
	Rev.No: 0	Rev.date:	Refer. No: RN130649	Pag.: 4 / 5
Her hakkı saklıdır. Yazılı izin olmadan bu dökümanın hiç bir kısmı kopya, kayıt, basım veya diğer herhangi bir şekilde çoğaltılamaz ve yayınlanamaz.		All rights reserved. Reproduction or issue to third parties in any form whatever is not permitted without written authority from the proprietors.		

4. Safety

4.1. Between Primary and Secondary winding



4.2. Between Windings and core



5. Marking

