

FEATURES

- Output regulation <1.5%
- Output programmable
- Single isolated output
- SIP & DIP package style
- 1kVDC isolation 'Hi Pot Test'
- 5V, 12V & 24V inputs
- 5V output
- SMD construction
- No external components required
- MTTF up to 2.4 million hours

DESCRIPTION

The NMF series of DC-DC converters is used where a tightly regulated supply is required. They are ideal for situations where the input voltage is not tightly controlled. The output trim pin makes the device particularly suitable for applications requiring a programmable output voltage. The 5V output version can be used to give a regulated output, adjustable between 1.2V and 5.0V with a single resistor.

SELECTION GUIDE

Order Code	Nominal Input Voltage	Output Voltage	Output Current	Power Out	Efficiency	Isolation Capacitance	MTTF ¹	Package Style	Recommended Alternative
	V	V	mA	mW	%	pF	kHrs		
In Production									
NMF0505SC	5	5	100	500	50	37	1307	SIP	
NMF1205SC	12	5	100	500	50	62	456		
NMF2405SC	24	5	100	500	50	69	843		
Discontinued									
NMF0505DC	5	5	100	500	50	37	1307	DIP	MEF1S0505SPC
NMF0509DC	5	9	100	900	62	42	825		Contact Murata
NMF0512DC	5	12	83	1000	62	46	512		Contact Murata
NMF0515DC	5	15	67	1000	62	52	316		Contact Murata
NMF1205DC	12	5	100	500	50	62	456		MEF1S1205SPC
NMF1209DC	12	9	100	900	62	82	379		Contact Murata
NMF1212DC	12	12	83	1000	62	98	290		Contact Murata
NMF1215DC	12	5	67	1000	62	108	218		Contact Murata
NMF2405DC	24	5	100	500	50	69	843		MEF1S2405SPC
NMF2409DC	24	9	100	900	62	106	613		Contact Murata
NMF2412DC	24	12	83	1000	62	129	422		Contact Murata
NMF2415DC	24	15	67	1000	62	151	279		Contact Murata
NMF4805DC	48	5	100	500	50	51	200		Contact Murata
NMF4809DC	48	9	100	900	62	86	283		Contact Murata
NMF4812DC	48	12	83	1000	62	108	162		Contact Murata
NMF4815DC	48	15	67	1000	62	127	135		Contact Murata
NMF0509SC	5	9	100	900	62	42	825	Contact Murata	
NMF0512SC	5	12	83	1000	62	46	512	Contact Murata	
NMF0515SC	5	15	67	1000	62	52	316	Contact Murata	
NMF1209SC	12	9	100	900	62	82	379	Contact Murata	
NMF1212SC	12	12	83	1000	62	98	290	Contact Murata	
NMF1215SC	12	15	67	1000	62	108	218	Contact Murata	
NMF2409SC	24	9	100	900	62	106	613	Contact Murata	
NMF2412SC	24	12	83	1000	62	129	422	Contact Murata	
NMF2415SC	24	15	67	1000	62	151	279	Contact Murata	
NMF4805SC	48	5	100	500	50	51	200	Contact Murata	
NMF4809SC	48	9	100	900	62	86	283	Contact Murata	
NMF4812SC	48	12	83	1000	62	108	162	Contact Murata	
NMF4815SC	48	15	67	1000	62	127	135	Contact Murata	

When operated **with** additional external load capacitance the rise time of the input voltage will determine the maximum external capacitance value for guaranteed start up. The slower the rise time of the input voltage the greater the maximum value of the additional external capacitance for reliable start up.



For full details go to www.murata.com/en-global/products/power/rohs

1. Calculated using MIL-HDBK-217F with nominal input voltage at full load.

All specifications typical at T_A=25°C, nominal input voltage and rated output current unless otherwise specified.

INPUT CHARACTERISTICS					
Parameter	Conditions	Min.	Typ.	Max.	Units
Voltage range	Continuous operation, 5V input types	4.75	5	5.25	V
	Continuous operation, 12V input types	11.4	12	12.6	
	Continuous operation, 24V input types	22.8	24	25.2	

GENERAL CHARACTERISTICS					
Parameter	Conditions	Min.	Typ.	Max.	Units
Switching frequency	All input types		90		kHz

OUTPUT CHARACTERISTICS					
Parameter	Conditions	Min.	Typ.	Max.	Units
Voltage set point accuracy	100% load			5	%
Rated power	T _A = 0°C to 70°C, see derating graph			1	W
Line regulation	High V _{IN} to low V _{IN}			0.25	%/%
Load regulation	10% load to rated load		0.9	1.5	%
Ripple & noise	BW=DC to 20MHz, all output types			60	mV p-p

ISOLATION CHARACTERISTICS					
Parameter	Conditions	Min.	Typ.	Max.	Units
Isolation test voltage	Flash tested for 1 second	1000			VDC
Resistance	Viso= 500VDC	0.1			GΩ

TEMPERATURE CHARACTERISTICS					
Parameter	Conditions	Min.	Typ.	Max.	Units
Specification	All output types	0		70	°C
Case temperature above ambient			38		
Storage		-55		150	
Cooling	Free air convection				

ABSOLUTE MAXIMUM RATINGS	
Short-circuit protection ²	1 second
Lead temperature 1.5mm from case for 10 seconds	260°C
Wave Solder	Wave Solder profile not to exceed the profile recommended in IEC 61760-1 Section 6.1.3. Please refer to application notes for further information.
Input voltage V _{IN} , NMF05 types	7V
Input voltage V _{IN} , NMF12 types	15V
Input voltage V _{IN} , NMF24 types	28V

2. Supply voltage must be discontinued at the end of the short circuit duration.

TECHNICAL NOTES

ISOLATION VOLTAGE

'Hi Pot Test', 'Flash Tested', 'Withstand Voltage', 'Proof Voltage', 'Dielectric Withstand Voltage' & 'Isolation Test Voltage' are all terms that relate to the same thing, a test voltage, applied for a specified time, across a component designed to provide electrical isolation, to verify the integrity of that isolation.

Murata Power Solutions NMF series of DC-DC converters are all 100% production tested at their stated isolation voltage. This is 1kVDC for 1 second.

A question commonly asked is, "What is the continuous voltage that can be applied across the part in normal operation?"

For a part holding no specific agency approvals, such as the NMF series, both input and output should normally be maintained within SELV limits i.e. less than 42.4V peak, or 60VDC. The isolation test voltage represents a measure of immunity to transient voltages and the part should never be used as an element of a safety isolation system. The part could be expected to function correctly with several hundred volts offset applied continuously across the isolation barrier; but then the circuitry on both sides of the barrier must be regarded as operating at an unsafe voltage and further isolation/insulation systems must form a barrier between these circuits and any user-accessible circuitry according to safety standard requirements.

REPEATED HIGH-VOLTAGE ISOLATION TESTING

It is well known that repeated high-voltage isolation testing of a barrier component can actually degrade isolation capability, to a lesser or greater degree depending on materials, construction and environment. The NMF series has toroidal isolation transformers, with no additional insulation between primary and secondary windings of enamelled wire. While parts can be expected to withstand several times the stated test voltage, the isolation capability does depend on the wire insulation. Any material, including this enamel (typically polyurethane) is susceptible to eventual chemical degradation when subject to very high applied voltages thus implying that the number of tests should be strictly limited. We therefore strongly advise against repeated high voltage isolation testing, but if it is absolutely required, that the voltage be reduced by 20% from specified test voltage.

This consideration equally applies to agency recognised parts rated for better than functional isolation where the wire enamel insulation is always supplemented by a further insulation system of physical spacing or barriers.

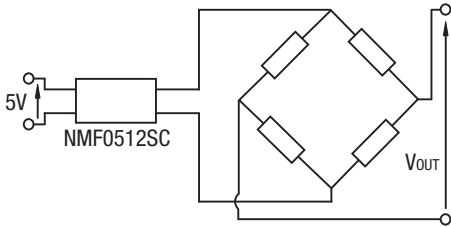
RoHS COMPLIANCE INFORMATION



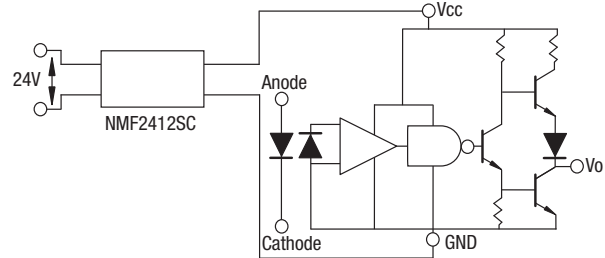
This series is compatible with RoHS soldering systems with a peak wave solder temperature of 260°C for 10 seconds. Please refer to [application notes](#) for further information. The pin termination finish on the SIP package type is Tin Plate, Hot Dipped over Matte Tin over Nickel Preplate. The DIP types are Matte Tin over Nickel Preplate. Both types in this series are backward compatible with Sn/Pb soldering systems. For further information, please visit www.murata.com/en-global/products/power/rohs

TYPICAL APPLICATIONS

Pressure sensor, or strain gauge equivalent circuit

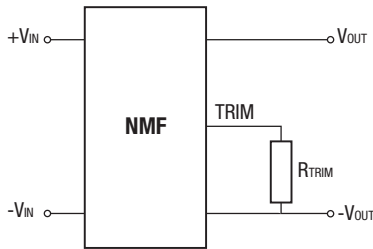


Scmitt Trigger



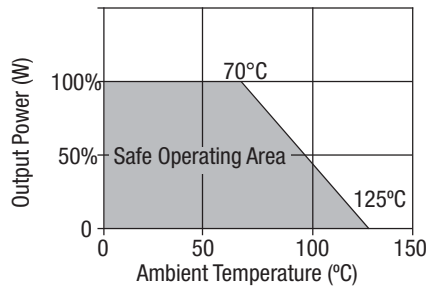
OUTPUT VOLTAGE ADJUSTMENT (for 5V output variants)

The trimming (adjust) input on the device allows output voltage adjustment from 1.2V to 3.3VDC by using a resistor as shown here. The table below provides R_{TRIM} values for the most commonly required output voltages. For applications not requiring the TRIM function, this pin must be left unconnected for normal regulated output.



$V_{OUT\ SET}$ (V)	R_{TRIM} (Ω)
1.2	0
1.5	64
2.0	224
2.1	263
2.2	304
2.5	448
3.3	1071

TEMPERATURE DERATING GRAPH

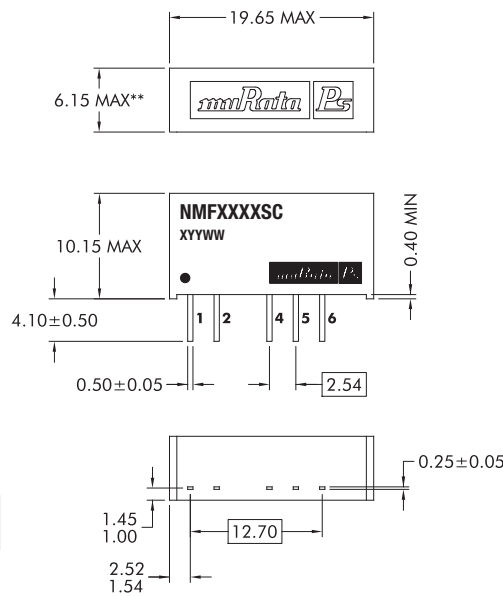
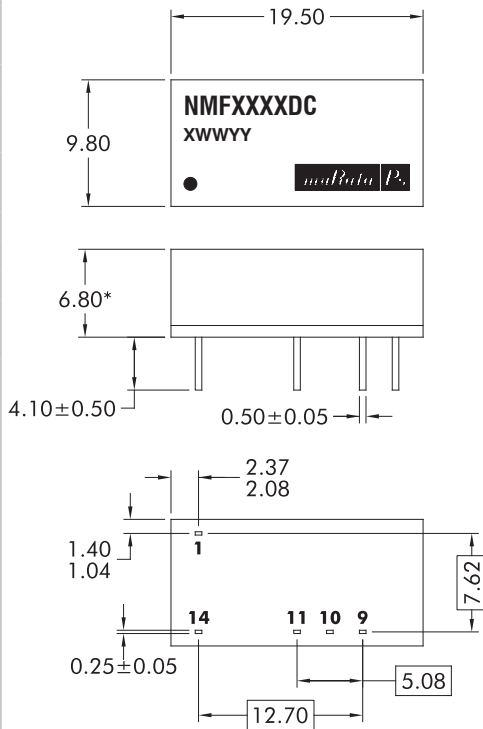


PACKAGE SPECIFICATIONS

MECHANICAL DIMENSIONS

DIP package

SIP package



PIN CONNECTIONS - 14 PIN DIP

Pin	Function
1	-VIN
9	+VOUT
10	TRIM
11	-VOUT
14	+VIN

PIN CONNECTIONS - 7 PIN SIP

Pin	Function
1	+VIN
2	-VIN
4	-VOUT
5	TRIM
6	+VOUT

* 7.70 for 24V & 48V variants
 ** 7.65 MAX for 24V & 48V variants

Unless otherwise stated all dimensions in mm ±0.25mm.

All pins on a 2.54mm pitch and within 0.25mm of true position.

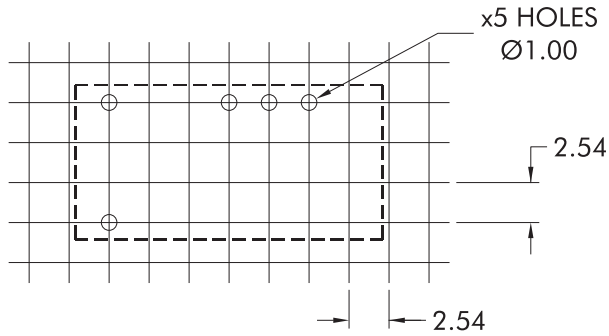
For SIP products, excluding NMF24XXSC, from date code D2224 onwards, products have an embossed logo on the top of the case. Prior to this date, SIP products have a flat surface finish.

Weight: 2.4g (DIP) 2.1g (SIP) except for NMF24XX and NMF48XX DIP & SIP : 2.9g

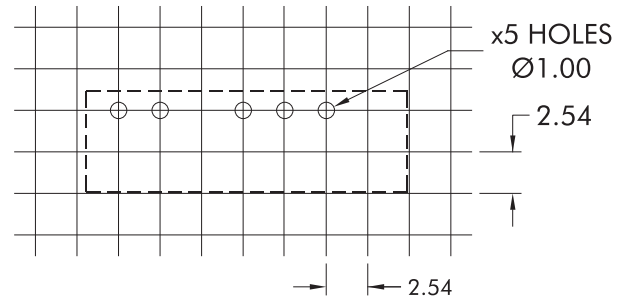
PACKAGE SPECIFICATIONS (Continued)

RECOMMENDED FOOTPRINT DETAILS

14 Pin DIP Package

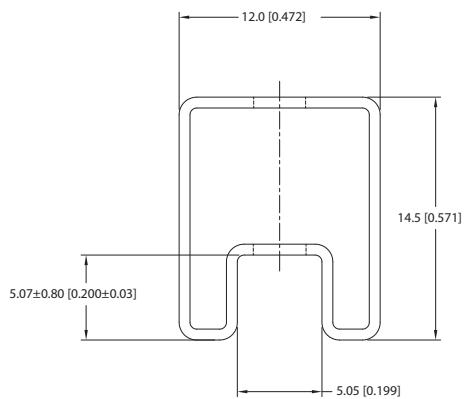


7 Pin SIP Package

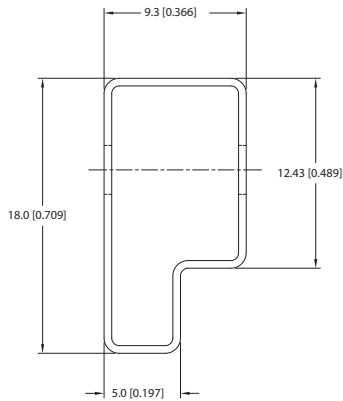


TUBE OUTLINE DIMENSIONS

14 Pin DIP Tube



7 Pin SIP Tube



Unless otherwise specified all dimensions in mm [inches] ±0.55mm [0.022].
 Tube length (14 Pin DIP) : 520mm [20.472] ±2.0 [0.079].
 Tube length (7 Pin SIP) : 520mm [20.472] ±2.0 [0.079].

Tube Quantity : 25

DISCLAIMER

Unless otherwise stated in the datasheet, all products are designed for standard commercial and industrial applications and NOT for safety-critical and/or life-critical applications.

Particularly for safety-critical and/or life-critical applications, i.e. applications that may directly endanger or cause the loss of life, inflict bodily harm and/or loss or severe damage to equipment/property, and severely harm the environment, a prior explicit written approval from Murata is strictly required. Any use of Murata standard products for any safety-critical, life-critical or any related applications without any prior explicit written approval from Murata shall be deemed unauthorised use.

These applications include but are not limited to:

- Aircraft equipment
- Aerospace equipment
- Undersea equipment
- Power plant control equipment
- Medical equipment
- Transportation equipment (automobiles, trains, ships, etc.)
- Traffic signal equipment
- Disaster prevention / crime prevention equipment
- Data Processing equipment

Murata makes no express or implied warranty, representation, or guarantee of suitability, fitness for any particular use/purpose and/or compatibility with any application or device of the buyer, nor does Murata assume any liability whatsoever arising out of unauthorised use of any Murata product for the application of the buyer. The suitability, fitness for any particular use/purpose and/or compatibility of Murata product with any application or device of the buyer remain to be the responsibility and liability of the buyer.

Buyer represents and agrees that it has all the necessary expertise to create and implement safeguards that anticipate dangerous consequences of failures, monitor failures and their consequences, lessen the likelihood of failures that might cause harm, and take appropriate remedial actions. Buyer will fully indemnify and hold Murata, its affiliated companies, and its representatives harmless against any damages arising out of unauthorised use of any Murata products in any safety-critical and/or life-critical applications.

Remark: Murata in this section refers to Murata Manufacturing Company and its affiliated companies worldwide including, but not limited to, Murata Power Solutions.



This product is subject to the following [operating requirements](https://www.murata.com/en-eu/products/power/requirements) and the [Life and Safety Critical Application Sales Policy](https://www.murata.com/en-eu/products/power/requirements):

Refer to: <https://www.murata.com/en-eu/products/power/requirements>

Murata Power Solutions (Milton Keynes) Ltd. makes no representation that the use of its products in the circuits described herein, or the use of other technical information contained herein, will not infringe upon existing or future patent rights. The descriptions contained herein do not imply the granting of licenses to make, use, or sell equipment constructed in accordance therewith. Specifications are subject to change without notice.

© 2023 Murata Power Solutions (Milton Keynes) Ltd.