



PRODUCT DATA APPROVAL SHEET

Core- R3035

Cosmo Ferrites Ltd. - INDIA

Appearance & Shape: To be free from any defect such as flow, burrs, unevenness etc, As per IEC standards.

Effective Parameters irrespective of material grade (per piece)

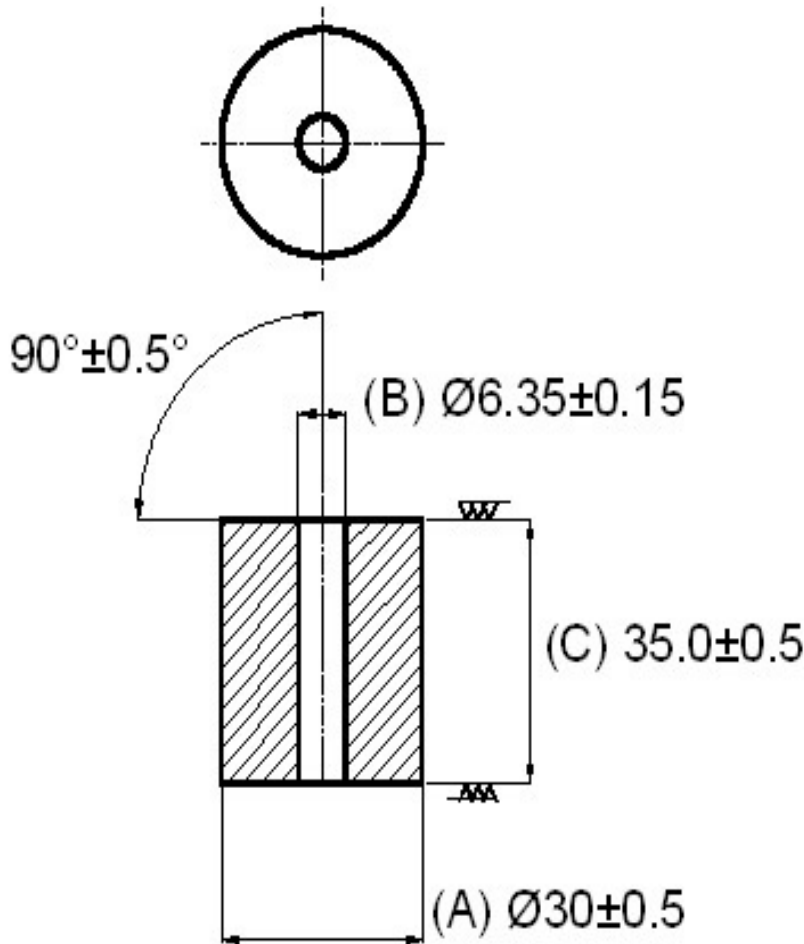
- Effective Length (L_e): 39.3mm
- Effective Area (A_e): 339.9 mm²
- Effective Area (A_{Min}): 339.9mm²
- Effective Volume (V_e): 13354mm³

Approximate weight : 110g

R3035

Test Conditions: 10kHz/150mV/CFR COIL,N=01/Lo=Zero/25°C

Material Grade	Initial Permeability (μ_{iac})	AL Value (nH)	Ordering Code
CF140	2500 \pm 20%	27100 +30%/-20%	CF140 R3035



For Cosmo Ferrites Limited-INDIA

Checked By: A.K.
 Approved By: B.S.
 Authorized By: KSR
 Date: 22-05-2019(ISSUE NO.1)

Customer's Approval
 Authorized Signatory:
 Name:
 Date:

NOTE: Please send this Data Sheet back to Cosmo Ferrites Ltd. after approval. If not received back within 15 days, it will be presumed that all the specifications given in the consent/data sheet are acceptable to the concerned.