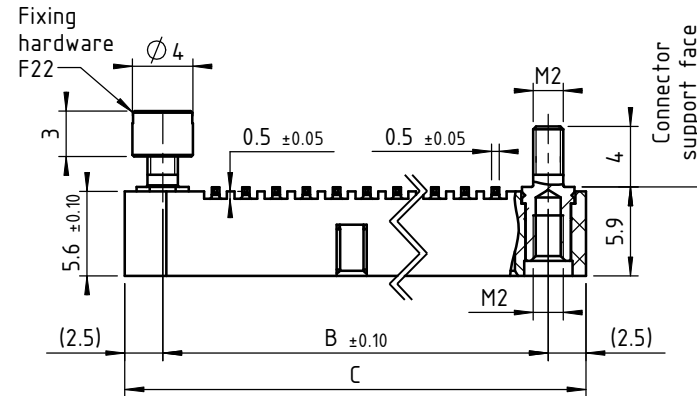
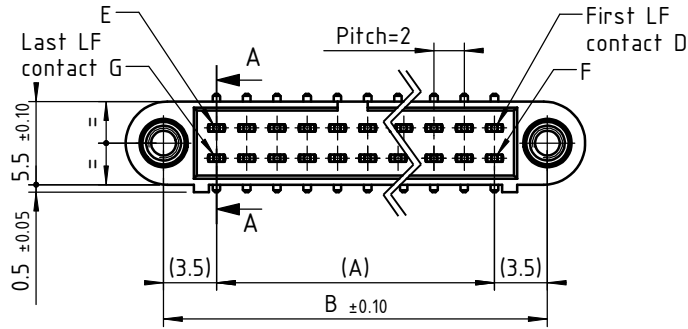
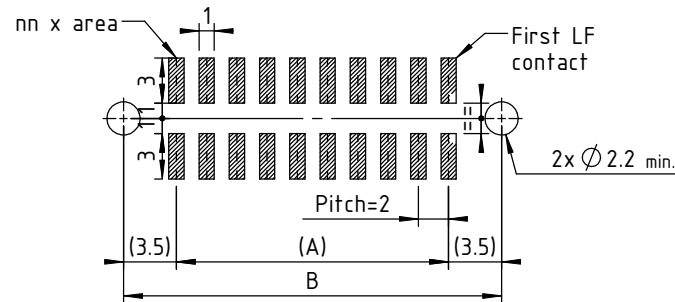


CUT A-A



Recommended PCB layout:



**TECHNICALS FEATURES**

**MATERIAL**

**INSULATOR** : Special PPS (Polyphenylene Sulfide Fibreglass filled thermoplastic) UL 94-V0

- Radiation resistance
- No humidity absorption
- Oxygen free

Note : PPS characteristics are recognized for space applications

**SIGNAL CONTACTS for PCB:**

**Male :**

- Contact area : Copper alloy / Ni + Au 1µ
- Contact tail : Copper alloy / Ni + Au flash 0.1µ

**FIXING HARDWARE :**

- Jackscrew : Stainless steel

**ELECTRICAL for LF Contacts**

- All contacts : 3 A max. @ 25°C  
2.2 A max. @ 85°C  
Tested at 800 V DC  
Tested at 1200 V DC
- Working voltage (sea level)
- Proof voltage : max. 10 mΩ
- Contact resistance (initially)
- Insulation resistance : 1000 MΩ min

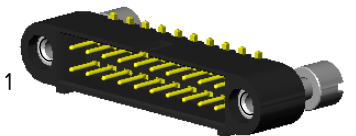
**MECHANICAL for LF Contacts**

- Mechanical operations : 500 cycles min. up to 2500
- Contact insertion and withdrawal force : 2 N max. / 0.2 N min. per contact

**ENVIRONMENTAL**

- Temperature range : From -60°C to +260°C
- Vibration severity : 0.75mm, 10 g RMS 6 hours long random with superimposed sinusoid. No intermittencies measured when using an H.S.L.I. (High Speed Logic Interrupt) detector with a trip threshold of 2 ns.
- Shock severity : 100g for 6 ms
- Solvent resistance : HcFc 141 bMGX (ATOCEM) solvent
- Salt spray test : 96 hrs
- Humidity test : 56 days @ 90% humidity

3D view  
scale : 1.5 : 1



Marking as referenced in the CMM catalogue pages 12 & 13

CONNECTOR SERIES 220 MALE							
LF contacts number nn	Distance in mm between axes		Length in mm	LF contacts reference mark number			
	A	B		D	E	F	G
04	2	9	14	1	2	3	4
06	4	11	16	1	3	4	6
08	6	13	18	1	4	5	8
10	8	15	20	1	5	6	10
12	10	17	22	1	6	7	12
14	12	19	24	1	7	8	14
16	14	21	26	1	8	9	16
18	16	23	28	1	9	10	18
20	18	25	30	1	10	11	20
22	20	27	32	1	11	12	22
24	22	29	34	1	12	13	24
26	24	31	36	1	13	14	26
28	26	33	38	1	14	15	28
30	28	35	40	1	15	16	30
32	30	37	42	1	16	17	32
34	32	39	44	1	17	18	34
36	34	41	46	1	18	19	36
38	36	43	48	1	19	20	38
40	38	45	50	1	20	21	40
42	40	47	52	1	21	22	42
44	42	49	54	1	22	23	44
46	44	51	56	1	23	24	46
48	46	53	58	1	24	25	48
50	48	55	60	1	25	26	50
52	50	57	62	1	26	27	52
54	52	59	64	1	27	28	54
56	54	61	66	1	28	29	56
58	56	63	68	1	29	30	58
60	58	65	70	1	30	31	60

This document and drawings, sketches, and schematic drawings are the property of the NICOMATIC company, and no parts thereof may be reproduced and used without the written consent of the owner. Law dated 11.03.1902

Catalogue Reference : **221TnnF22**

 <a href="http://www.nicomatic.com">www.nicomatic.com</a> Mail : <a href="mailto:nicomatic@nicomatic.fr">nicomatic@nicomatic.fr</a> Tel : +33 (0)4.50.36.13.85	2	07/12/10	N.P.	A.V.	E.M.
	Iss	Date	Drawn	Checked	Approved
Item : Connector CMM220 male straight SMT, nn LF contacts, F22					
Tools recommended : Screwdriver for standard nut C14743 Folder : X:\Méthodes\Plans clients\Plans clients 2D\10 - CMM220\Connecteurs mâles\221T\221TnnF22_cl					

	General tolerance ±0.2	Scale 2:1	Page 1/1
--	------------------------	-----------	----------



4

3

2

1

4

3

2

1