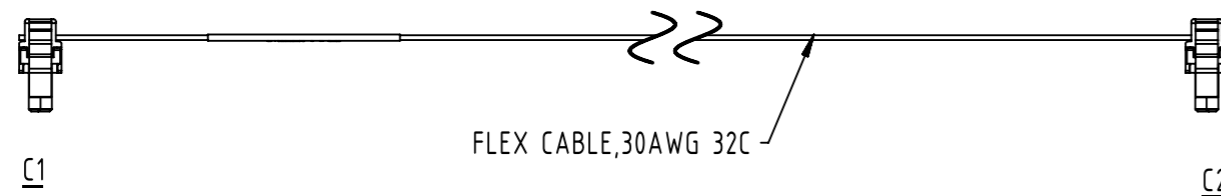
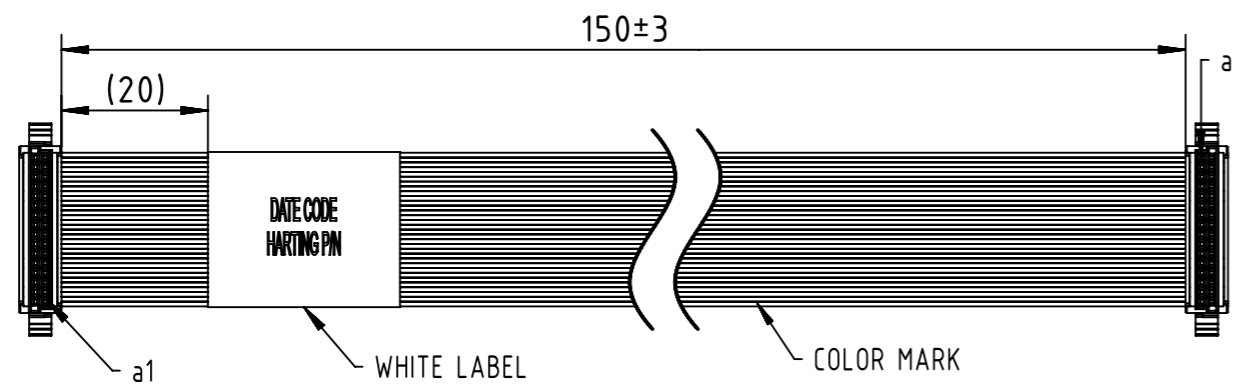
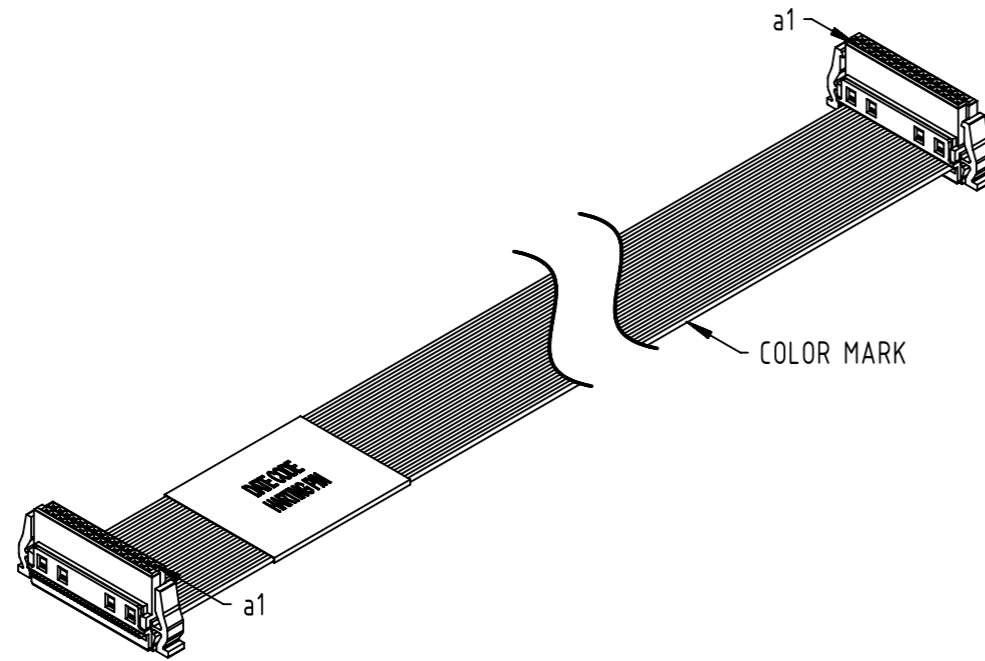


Option 5
X:1 wiring
CRZ 2304A

Technical Specification	
Pole	32
Pitch	1.27mm
Cable diameter	AWG 30/7
Cable insulation	TPE
Temperature range	-40°C up to +125°C
Rated voltage	150V
Current rating	0.5A
Insulation resistance	>20mMΩ/km 20°C
Mating Cycles	500
Compliant	RoHS
Flame retardant	Cable: UL 758: VW-1 Connector: UL 94: V-0



HAR-FLEX 32 POLE FEMALE CONNECTOR
WITHOUT STRAIN RELIEF

HAR-FLEX 32 POLE FEMALE CONNECTOR
WITHOUT STRAIN RELIEF

HARTING P/N	Cable length
33152441500458	150±3

	All rights reserved	Created by LINI Lin	Inspected by LIANL Lian	Standardisation LIANL Lian	Date 2022-12-09	State Final Release
	Department HCS - CN	Title har-flex, 32p, 2end w/o sr, TPE, L=150mm				Doc-Key / ECM-Nr. 101010711/UGD/001/A 500000232183
HARTING Customised Solutions D-32339 Espelkamp		Type TB	Number 33152441500458		Rev. A	Page 1/1