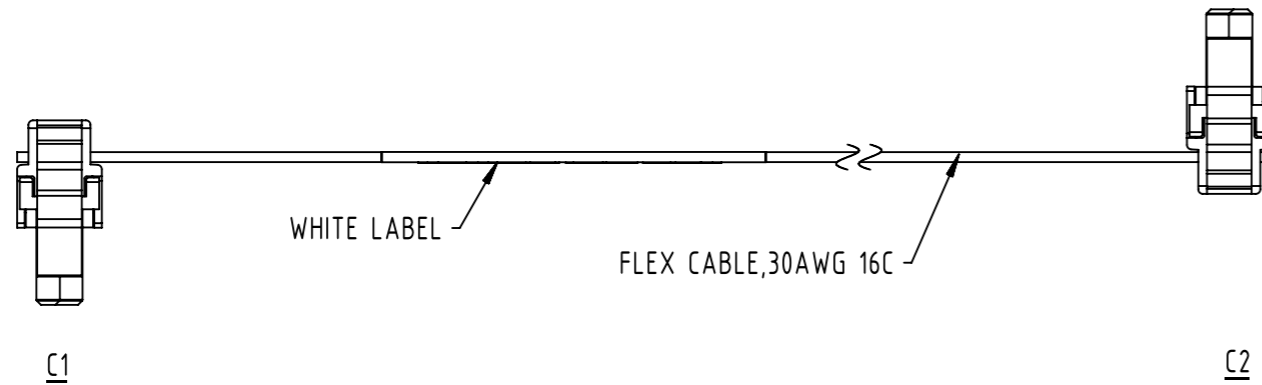
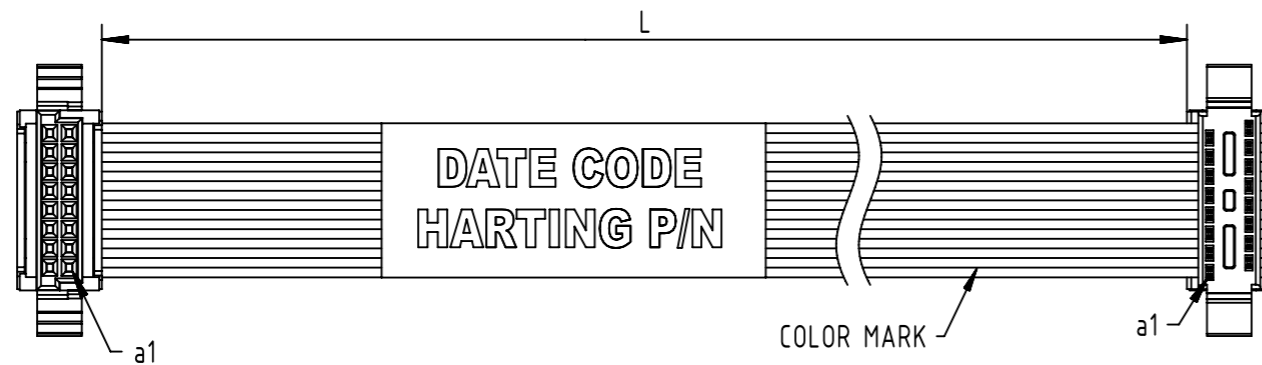
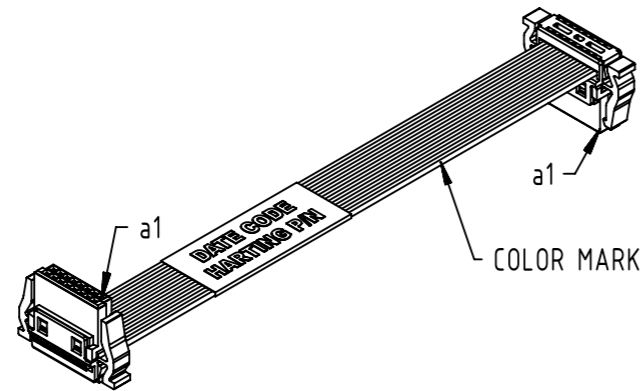


Option 8
1:1 wiring
CRZ 2304A



HAR-FLEX 16 POLE FEMALE CONNECTOR
WITHOUT STRAIN RELIEF

HAR-FLEX 16 POLE FEMALE CONNECTOR
WITHOUT STRAIN RELIEF

Technical Specifications:

- 16 poles
- Pitch: 1.27mm
- AWG 30/7, TPE
- temperature range: -40°C up to +125°C
- Rated voltage: 150V
- Current rating: 0.5 A
- Insulation Res: $\geq 20M\Omega/km$ 20°C
- Mating Cycles: 500
- RoHS compliant
- Flame retardant acc. UL 758: VW-1

Note:

- 100% Continuite Test and HI-POT Test
- 10 pieces packed in one poly bag

HARTING P/N	Cable length(L)[mm]
33152440300457	30±3
33152441000457	100±3
33152441600457	160±3

	All rights reserved Department HCS - CN	Tech. Character.		Free size tol.		According to production drawing	
		Created by LINI Lin	Inspected by LIANL Lian	Standardisation LIANL Lian	Date 2022-06-28	State Final Release	
HARTING Customised Solutions D-32339 Espelkamp		Title Har-flex, 16p, 2end W/O SR, TPE, L=xx M				Doc-Key / ECM-Nr. 101010710/UGD/001/A 500000219855	
		Type TB	Number 3315244XXX0457			Rev. A	Page 1/1