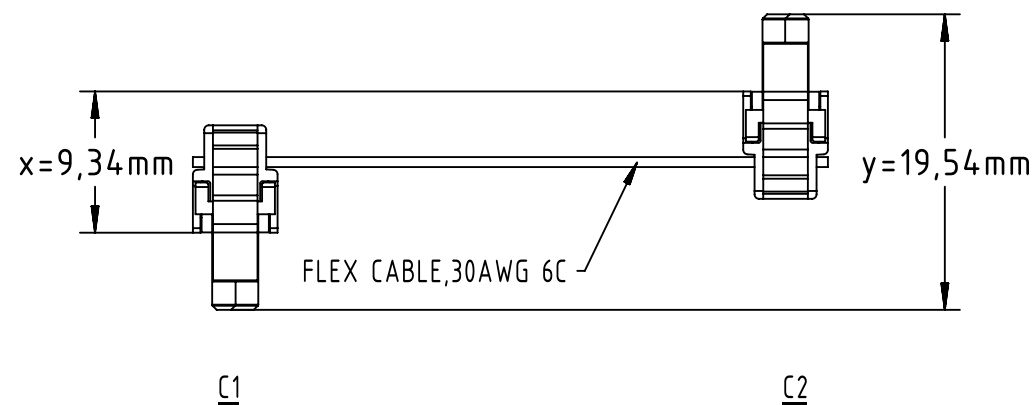
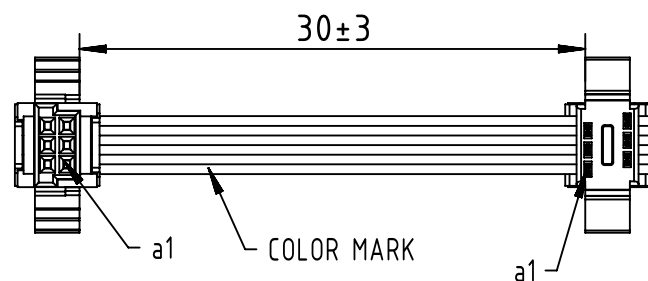
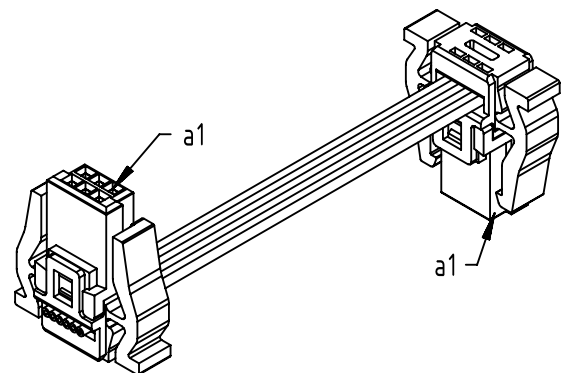


Option 8
1:1 wiring
CRZ 2304A



HAR-FLEX 6 POLE FEMALE CONNECTOR
WITHOUT STRAIN RELIEF

HAR-FLEX 6 POLE FEMALE CONNECTOR
WITHOUT STRAIN RELIEF

Technical Specification

Pole	6
Pitch	1.27mm
Cable diameter	AWG 30/7
Cable insulation	TPE
Temperature range	-40°C up to +125°C
Rated voltage	150V
Current rating	0.5A
Insulation resistance	>20mMΩ/km 20°C
Mating Cycles	500
Compliant	RoHS
Flame retardant	Cable: UL 758: VW-1 Connector: UL 94: V-0

HARTING P/N	Cable length(L)[mm]
33152440300456	30±3

	All rights reserved Department HCS - CN	Created by LINI Lin	Inspected by LIANL Lian	Standardisation LIANL Lian	Date 2022-12-09	State Final Release	Doc-Key / ECM-Nr. 101010709/UGD/001/A 500000232165
HARTING Customised Solutions D-32339 Espelkamp		Title har-flex, 6p, 2end w/o sr, TPE, L=30mm	Type TB	Number 33152440300456	Rev. A	Page 1/1	