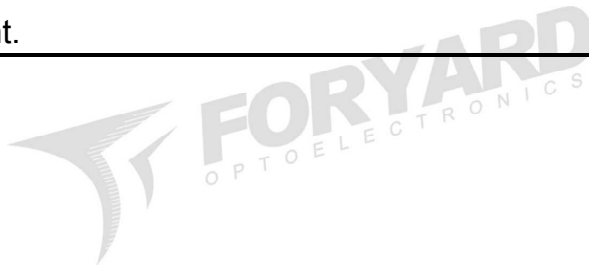




PRODUCT SPECIFICATION

Model No.: FYLF-1130RGBW-4

Descriptions:
<ul style="list-style-type: none"> ■ Flux LED Type. ■ Size (mm): $\Phi 5 \times 7.62 \times 7.62$. ■ Dice material: AlGaInP; InGaN; InGaN. ■ Emitting Color: Super Bright Red; Super Bright Pure Green; Super Bright Blue. ■ Pb-free Reflow soldering application. ■ RoHS Compliant.



CUSTOMER APPROVED SIGNATURES	APPROVED BY	SALES BY	PREPARED BY
			

NINGBO FORYARD OPTOELECTRONICS CO.,LTD.

Add:No. 666 Jinghua Road, Hi-tech Park, Ningbo, Zhejiang, China

Zip:315103

Tel: 0086-574-87933652 87927870

Fax: 0086-574-87927917

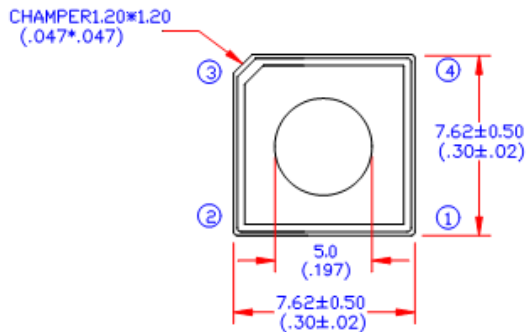
E-mail:Sales@foryard.com (General)

Model No.: FYLF-1130RGBW-4

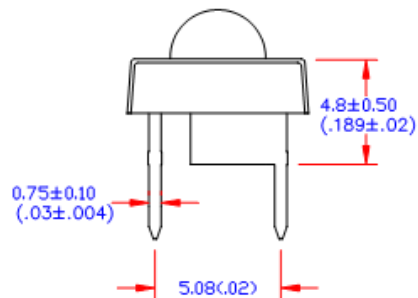
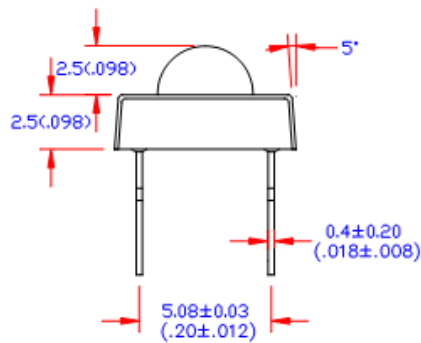
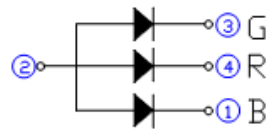
Features

- 1.Low power consumption.
- 2.High efficiency.
- 3.General purpose leads.
- 4.High intensity.
- 5.RoHs compliant.

Package configuration



DIE POSITIONS



Notes:

1. All dimensions are millimeters (inches)
2. Tolerance is ±0.25mm(.010") unless otherwise noted.
3. The specifications, characteristics and technical data described in the datasheet are subject to change without prior notice.
- 4.The drawing is different from the actual one, please refer to the sample.

Model No.: FYLF-1130RGBW-4

■ Absolute Maximun Ratings(Ta=25°C)

Parameter	MAX.			Unit
	UR	PG	UB	
Power Dissipation	52	72	72	mW
Peak Forward Current (1/10 Duty Cycle, 0.1ms Pulse Width)	100	100	100	mA
Continuous Forward Current	20	20	20	mA
Derating Linear From 50°C	0.4			mA/°C
Reverse Voltage	5			V
Operating Temperature Range	-30°C to +80°C			
Storage Temperature Range	-40°C to +100°C			
Lead Soldering Temperature[4mm(.157") From Body]	260°C for 5 Seconds			

■ Typical Electrical & Optical Charcteristics(Ta=25°C)

Parameter	Symbol	Colour	Min.	Typ.	Max.	Unit	Test Condition
Luminous Intensity	I_v	UR	690	1400	---	mcd	IF=20mA
		PG	1200	2700			
		UB	340	770	---		
Viewing Angle	$2\theta_{1/2}$	UR	75	85	95	Deg	
		PG	70	75	85		
		UB	70	75	85		
Peak Emission Wavelength	λ_p	UR	628	633	638	nm	
		PG	515	520	525		
		UB	460	465	470		
Dominant Wavelength	λ_d	UR	618	623	628	nm	
		PG	518	523	528		
		UB	465	470	475		
Spectral Line Half-Width	$\Delta\lambda$	UR	15	20	25	nm	
		PG	27	32	37		
		UB	17	22	27		
Forward Voltage	V_F	UR	1.6	2.1	2.6	V	
		PG	2.6	3.1	3.6		
		UB	2.6	3.1	3.6		
Reverse Current	I_R		---	---	10	μA	VR=5V

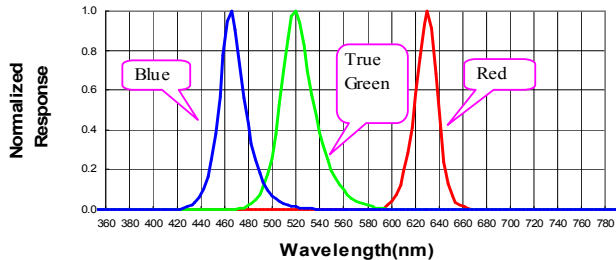
Note:

- 1.Luminous Intensity is based on the Foryard standards.
- 2.Pay attention about static for InGaN

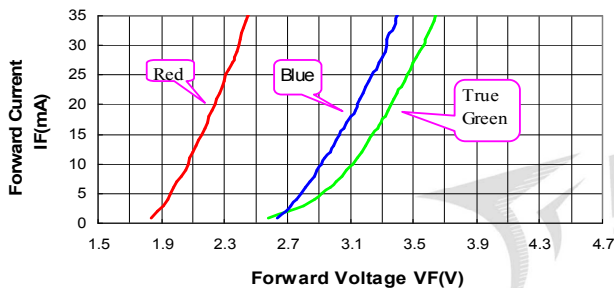
Model No.: FYLF-1130RGBW-4

■ Typical Electrical/Optical Characteristics Curves(Ta=25°C Unless Otherwise Noted)

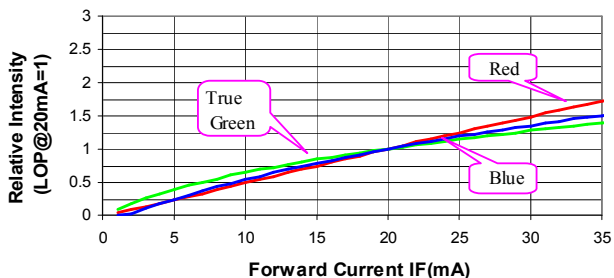
Spectral Radiance Red Peak @ 633nm
True Green Peak @ 520nm
Blue Peak @ 465nm



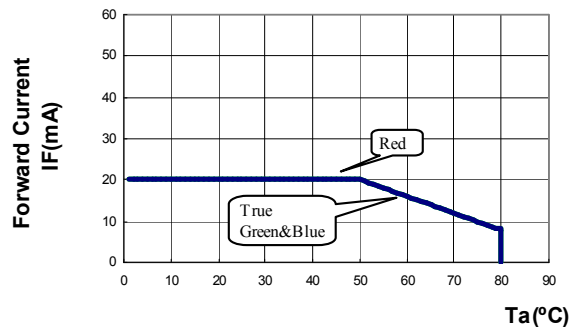
Forward Current vs Forward Voltage



Relative Luminous Intensity vs Forward Current

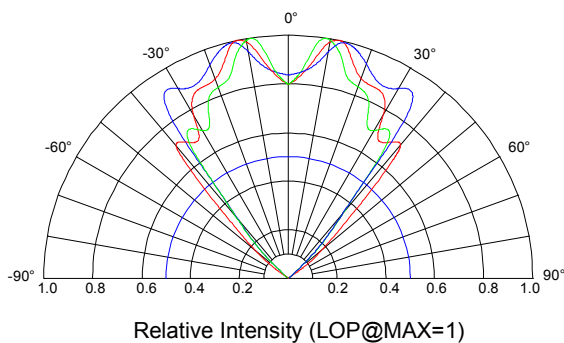


Forward Current Derating Curve



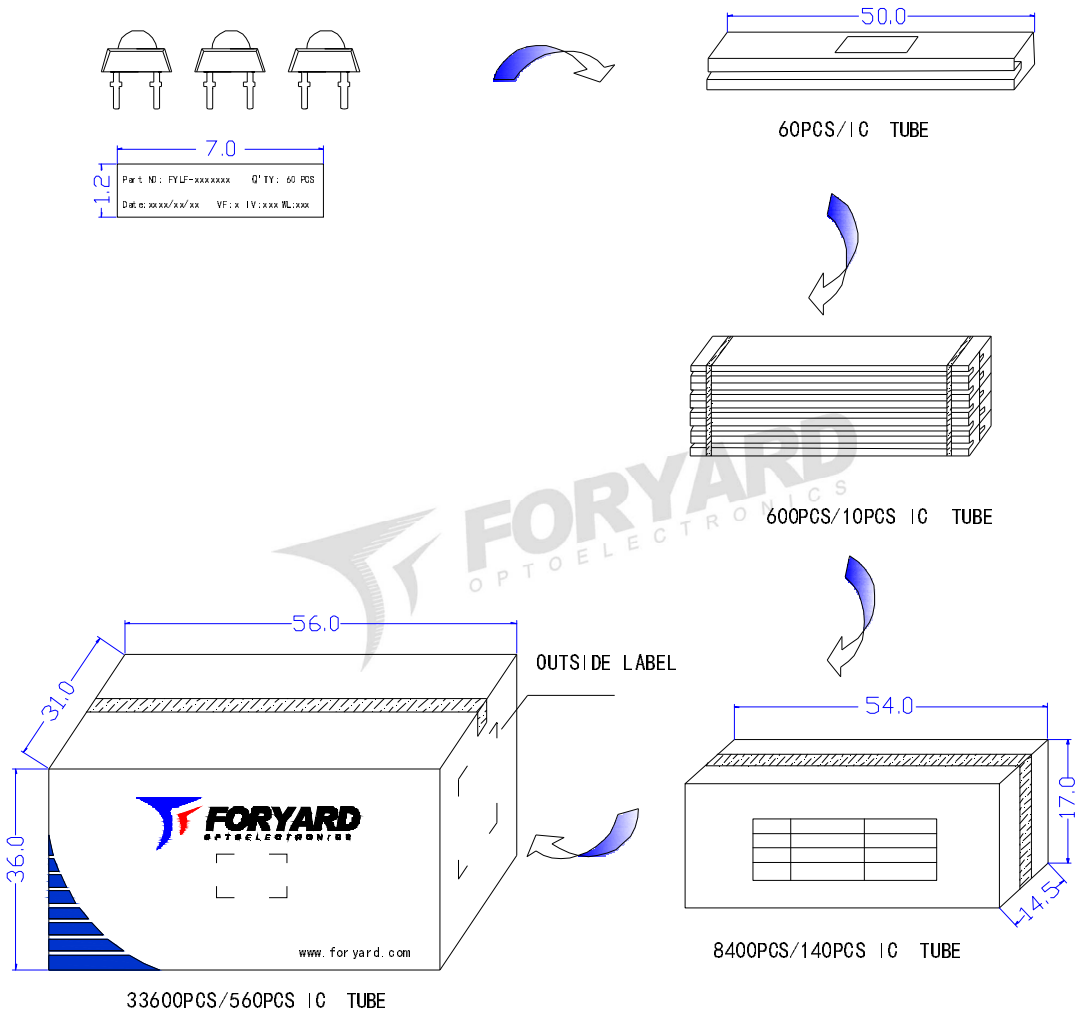
■ Radiation pattern

Beam Pattern



Model No.: FYLF-1130RGBW-4

■ LAMP PACKING.




LED
 PN: FYLF-xxxxxxx-xx
 Qty: 33600 PCS
 Date: xxx/xx/xx
 GW: xx KG QC: 
 NW: xx KG

 XXXXXXXXXXXX  

OUTSIDE LABEL

Note: The specifications are subject to change without notice. Please contact us for updated information.