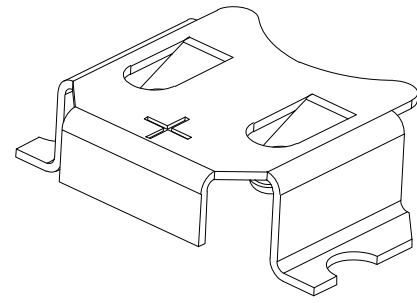
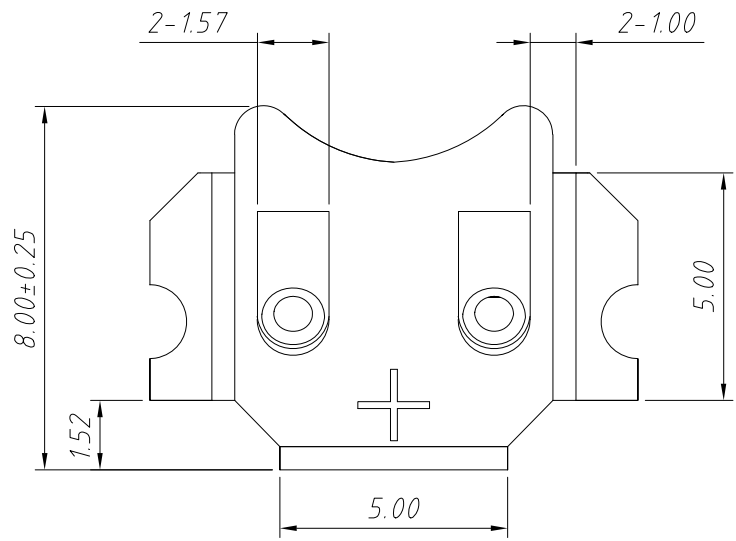
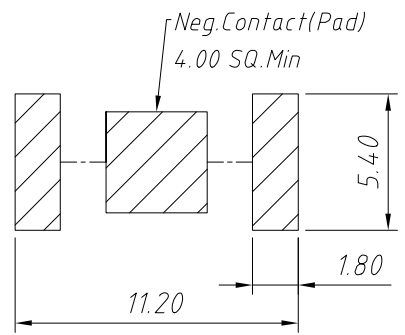
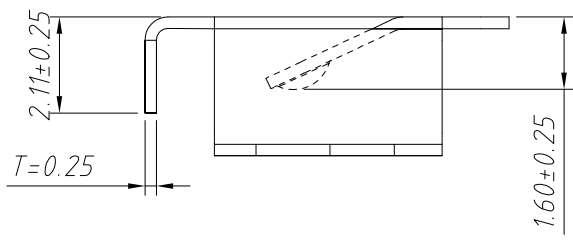
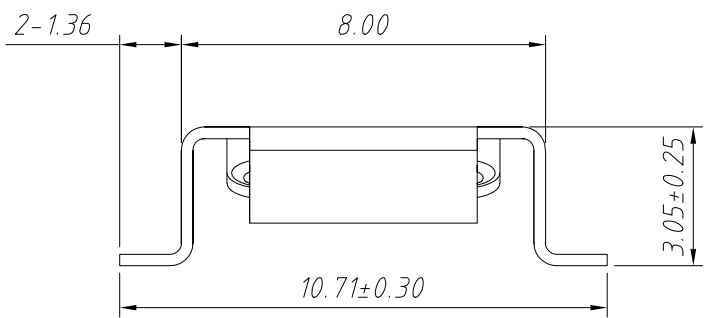


1
RoHS Compliance



Notes:
 1:Material:
 Phosphor Bronze T=0.25mm, Nickel Plated.
 2:Electric:
 Dielectric Voltage:500V AC One Sec Level.
 Contact Resistance:30 mΩ Max.
 Insulator Resistance:100 MΩ Min.
 Operating Temperature:-40°C ~ +85°C.



Recommended PCB Layout
 Tolerance:±0.05mm

ANGLE TOLERANCE	PROJECTION	Description:	
±3°		ML621 Coin Cell Retainers	
GENERAL TOLERANCE	UNITS	mm	KLS P/N:
x.x ±0.30	SHEET SIZE	A4	L-KLS5-MC621-01-R
x.xx ±0.20	Draw:	Song	2024-02-23
x.xxx ±0.10	Check:	Daniel	2024-02-23

