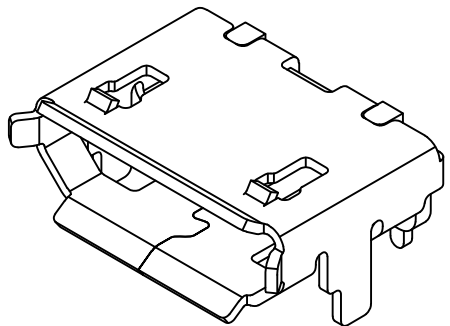
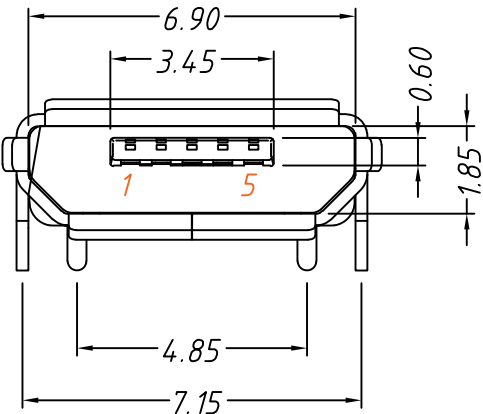



RECOMMENDED P.C.B LAYOUT
TOLERANCES: ±0.05



Specification:
 Current Rating: 2.0A (Pin 1,5);
 1.0A (Pin 2,3,4).
 Voltage Rating: 30VAC
 Contact resistance: 50mΩ Max.
 Insulation Resistance: 100MΩ Min.
 Dielectric withstanding voltage: 250VAC r.m.s.
 Total unmating force: 1.0 kgf Min.
 Temperature rating: -40°C ~ +85°C
 Packing: 1500PCS/REEL

ITEM	DESCRIPTION	MATERIAL	Q'TY	PLATING & COLOR
3	Shield	COPPER ALLOY	1	50~80u" Nickel Plating Overall
2	Terminal	COPPER ALLOY	5	Gold Flash , 30~80u" Nickel Plated.
1	Housing	Thermoplastic UL94-V0	1	Black

GENERAL TOLERANCE	PROJECTION	Symbol	Description:
.X ±0.50	UNITS	mm	CONN RCPT 5POS MICRO USB SMD
.X ±0.30	SCALE	6:1	
.XX ±0.2	Draw by:	Daniel	KLS P/N: L-KLS1-238-0-0-0-R-EXJ191
ANGLE TOLERANCE	Check by:	Daniel	 NingBo KLS ELECTRONIC CO.,L TD.
.X ±2°	Date	2023-02-01	
.X ±1°	SHEET	1 OF 1	