

Development Platform iW-RainboW-G28D

Zynq 7000 SODIMM development kit



iWave's Zynq 7000 SoC Development kit comprises of Xilinx's Z7020 SoC based SODIMM SOM and Pico ITX form factor carrier card. The SOM is equipped with 512MB DDR3RAM & 8GB eMMC Flash memory support, Gigabit Ethernet PHY and built-in 802.11n Wi-Fi/BLE4.0 for PS. The Zynq 7020 development kit carrier board supports several on-board connectors to validate all the PS & PL features of Zynq 7020 10 SoC through on-board connectors. The kit is ideal platform for quick proto typing of Zynq 7000 SOC targeted applications.

APPLICATIONS: Industrial automation, Industrial equipments, Machine Vision, Control & measurement, Motor Control and Medical Instruments.

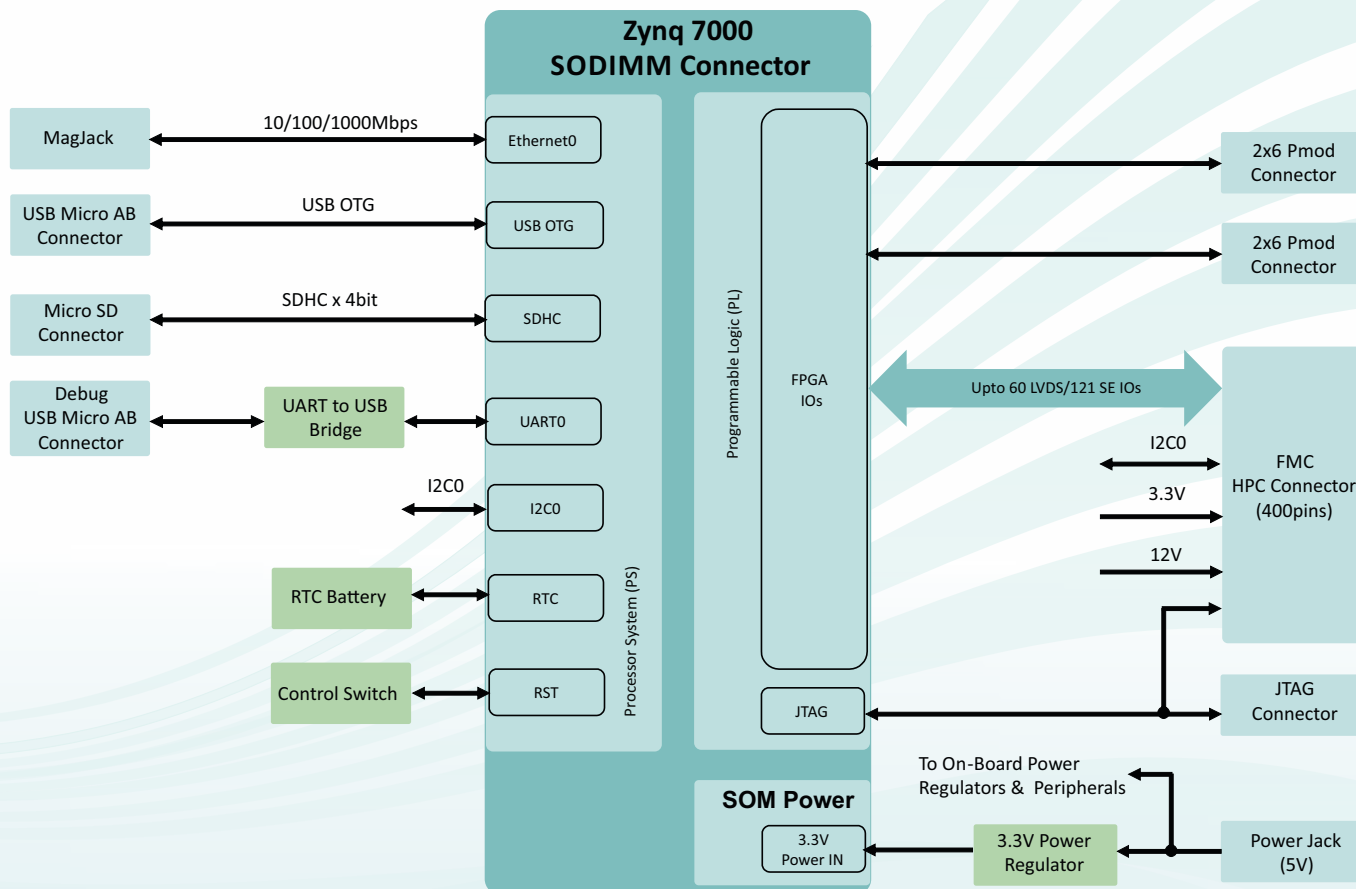
HIGHLIGHTS

- Zynq 7020 SOC with 85K logic cells
- FMC Connector with 60LVDS/121 SE IOs
- Dual 12-Bit PMOD Connector
- On-Board 802.11n Wi-Fi/BLE4.0 support
- Gigabit Ethernet & USB OTG2.0 support

SPECIFICATIONS

Zynq 7020 SODIMM SOM:	SODIMM Carrier Board:
Zynq 7020 SOC (-1 speed) @ 667MHz	Debug Console - 1 Port
PMIC with RTC	USB 2.0 OTG - 1 Port
2MB QSPI NOR Flash (for boot code)	10/100/1000 Ethernet - 1 Port
512MB DDR3 RAM	RTC Battery
8GB eMMC Flash	400 Pin FMC Connector (60LVDS/121SE IOs from FPGA)
802.11n Wi-Fi/BLE4.0 Module	12-Pin PMOD Connector - 2 Ports
Gigabit Ethernet PHY	JTAG Connector
USB2.0 Transceiver	Reset Switch
Operating System: Linux 4.9.0	Power Jack (5V DC Input)
	Operating temperature: 0°C to +50°C

Zynq SODIMM Carrier Board Block Diagram



OS SUPPORT

Linux 4.9.0

DELIVERABLES

Zynq 7020 Development kit
Linux 4.9.0 BSP
5V AC-DC Adapter
HW/SW user manuals

OPTIONAL KITS/Modules

Pmod Modules

CUSTOM DEVELOPMENT

BSP Development/OS Porting
Custom SOM/Carrier Development
Custom Application/GUI Development
Design Review and Support

iWave Systems Technologies, established in 1999, focuses on Product Engineering Services involving Embedded Hardware, Software & FPGA. The company designs and develops cutting edge products and solutions. iWave has been an innovator in the development of highly integrated, high performance, low power and low cost System On Modules and Development Platforms. iWave's expertise has brought out multiple SOMs based on ARM NXP, Intel Atom, Marvell and TI Processors.

iWave System has won the confidence of its customers over the years by being a reliable partner in developing innovative products. Our engineers combine outstanding System design experience to deliver Quality Solutions. iWave specializes across Industrial, Automotive and Medical domains. We support our customers by being time efficient, which in turn helps our customers accelerate time to market their products. iWave is a Windows embedded Silver partner and a winner of the Partner Excellence Award.

*Optional items not included in the standard deliverables.

Note: iWave reserves the right to change these specifications without notice as part of iWave's continuous effort to meet the best in breed specification. The registered trademarks are proprietary of their respective owners.



Zynq 7000 SODIMM Development Kit

The device can be ordered online from the iWave Website

<http://www.iwavesystems.com/webforms>

Or from our Local Partners in your region

<http://www.iwavesystems.com/about-us/business-partner.html>

iWave Systems Tech. Pvt. Ltd.,

7/B, 29thMain, BTM Layout 2nd Stage,
Bangalore-560076, India.
Ph:+91-80-26683700, 26786245
Email: mktg@iwavesystems.com
www.iwavesystems.com

iWave Japan, Inc.

8F-B, Kannai Sumiyoshi Building,
3-29, Sumiyoshi-cho, Naka-ku,
Yokohama, Kanagawa, Japan.
Ph: +81-45-227-7626
Email: info@iwavejapan.co.jp
www.iwavejapan.co.jp