

Gas Discharge Tube: G25D10-H Series



2-Electrode $\Phi 25$ x T10mm High Surge Type

■ Features

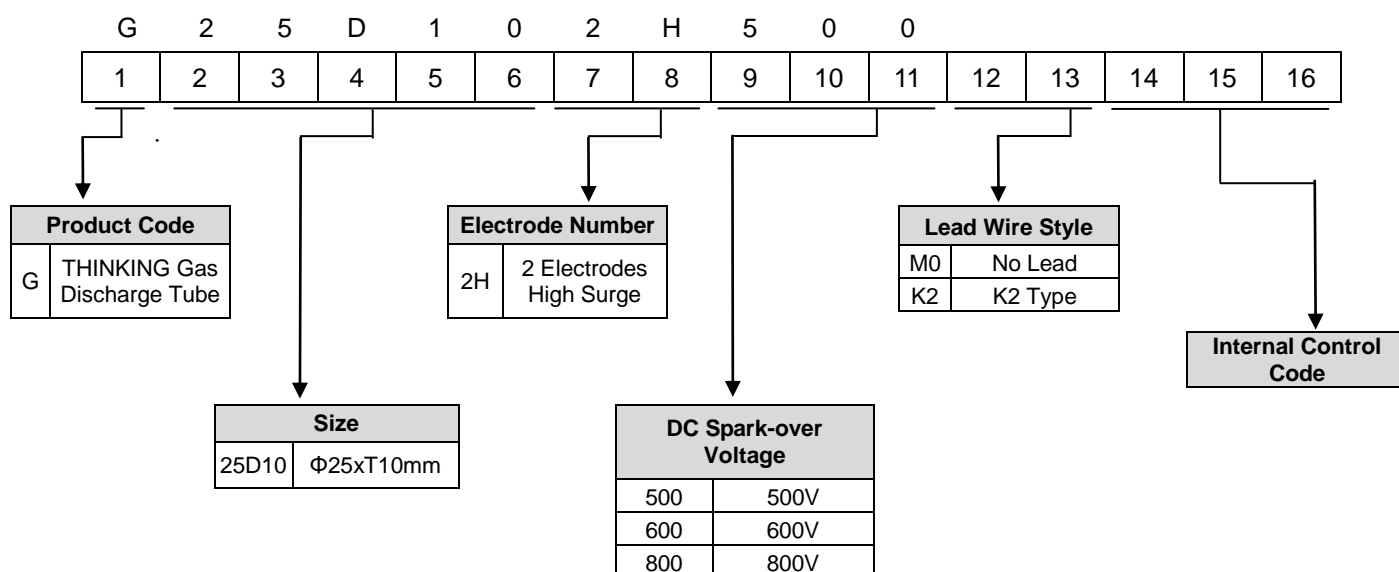
1. RoHS & HF compliant
2. Rugged ceramic-metal construction
3. DC spark-over voltage: 500~800V
4. Follow current at 50/60Hz: 100A
5. Max continuous operating voltage at 50/60Hz: 255V
6. Agency recognition: UL
7. Operating temperature: $-40^{\circ}\text{C} \sim +105^{\circ}\text{C}$
Storage temperature: $-40^{\circ}\text{C} \sim +115^{\circ}\text{C}$



■ Recommended Applications

1. Power system
2. Industrial equipment
3. SPD module

■ Part Number Code



Gas Discharge Tube: G25D10-H Series



2-Electrode $\Phi 25$ x T10mm High Surge Type

■ Characteristics

Part No.	DC Spark-over Voltage	Max. Impulse Discharge Current (8/20 μ s)		Max. Front-of-wave Sparkover Voltage	Follow Current	Max Continuous Operating Voltage	Minimum Insulation Resistance	Maximum Breakdown Time	Safety Approvals
	100V/S	1 time	10 times	1.2/50 μ s 6KV	50/60Hz	50/60Hz	(G Ω)	(ns)	UL1449
	(V)	(KA)		(V)	(A)	(V)			
G25D102H500□□	400-600	120	80	1300	100	255	1	100	√
G25D102H600□□	450-800			1400	100	255			√
G25D102H800□□	640-960			1500	100	255			√

Note 1: The □□ is style of lead wire.

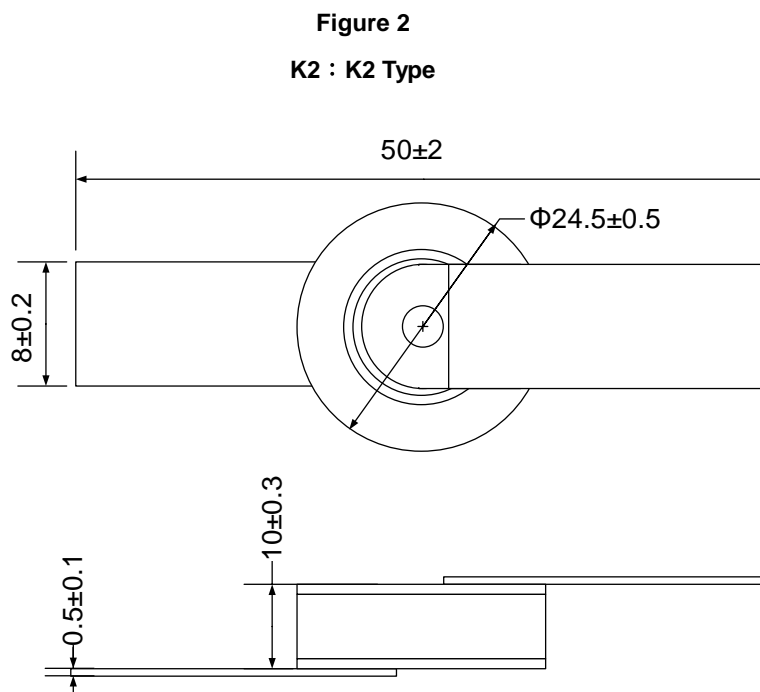
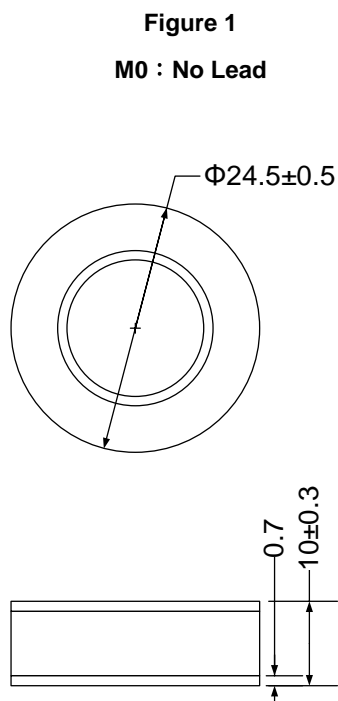
Note 2: UL 1449 4th File No: E314979.

Note 3: Insulation resistance test conditions:

DC Spark-over Voltage	DC Measuring Voltage
500-800V	250V

■ Dimension

(Unit: mm)

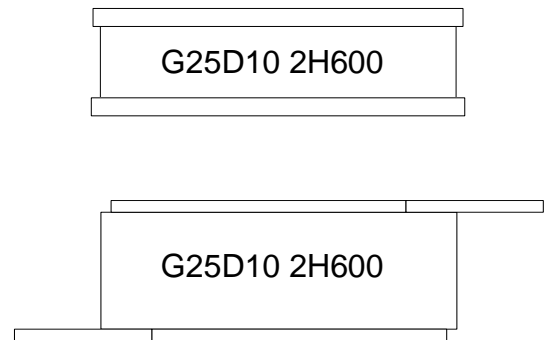
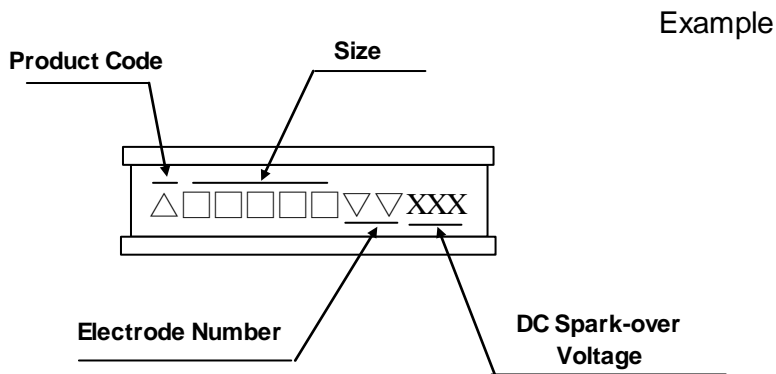


Gas Discharge Tube: G25D10-H Series



2-Electrode $\Phi 25$ x T10mm High Surge Type

■ Marking



■ Packaging

- Bulk

■ Warehouse Storage Conditions of Products

- Storage Conditions:
 1. Storage Temperature: $-10^{\circ}\text{C} \sim +40^{\circ}\text{C}$
 2. Relative Humidity: $\leq 75\% \text{RH}$
 3. Keep away from corrosive atmosphere and sunlight.
- Period of Storage: 1 year