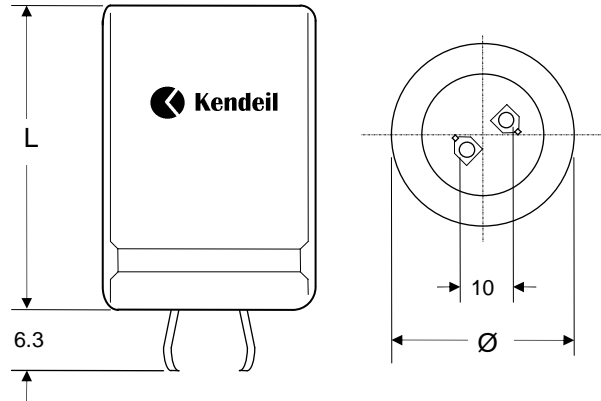


| | |
|--------------------------------|--|
| CAPACITOR SPECIFICATION | KENDEIL part number: K054502710PM0D040 |
|--------------------------------|--|

PHISICAL DIMENSIONS

- * Diameter [mm] ..30..... ±1
- * Length [mm] ...40..... ±2


ELECTRICAL PARAMETERS

| | | |
|---------------------------------|--|------------------|
| * Nominal Capacitance |270... | µF at 100 Hz |
| * Tolerance | | ± 20% |
| * Temperature range | | -40°C to +1 05°C |
| * Rated Voltage / Surge Voltage | 450/495 | Vdc |
| * Maximum Tang. δ |0.10 | at 100 Hz |
| * Typical ESR |330 | mΩ at 100 Hz |
| * Typical Impedance |220 | mΩ at 10 KHz |
| * Maximum Leakage Current |0.73 | mA after 5 mins |
| * Maximum Ripple Current |1.1 | A rsm at 105°C |
| * Useful life | 5000 | Hours at 105°C |
| * Reference Standards | CECC 30.301.042 IEC 384.4 Long Life Grade DIN 41248 DIN 45910/12 | |

When ambient temperature and ripple frequency are different from 105°C and 100 Hz, ripple current shall be multiplied by following compensating factor:

| Vr dc | FREQUENCY | | | | | AMBIENT TEMPERATURE | | | | | | | |
|-------------|-----------|--------|-------|------|----------|---------------------|------|------|-------|------|------|------|-------|
| | 50 Hz | 100 Hz | 500Hz | 1KHz | >=10 KHz | 35°C | 45°C | 55°C | 6 5°C | 75°C | 85°C | 95°C | 105°C |
| 0 - 25 V | 0.91 | 1.00 | 1.15 | 1.15 | 1.20 | 3.0 | 2.8 | 2.6 | 2.4 | 2.2 | 1.8 | 1.5 | 1.0 |
| 40 - 100 V | 0.88 | 1.00 | 1.35 | 1.40 | 1.45 | | | | | | | | |
| 160 - 450 V | 0.88 | 1.00 | 1.45 | 1.50 | 1.55 | | | | | | | | |

APPROVED G. RIGHI

DATE 24/06/10