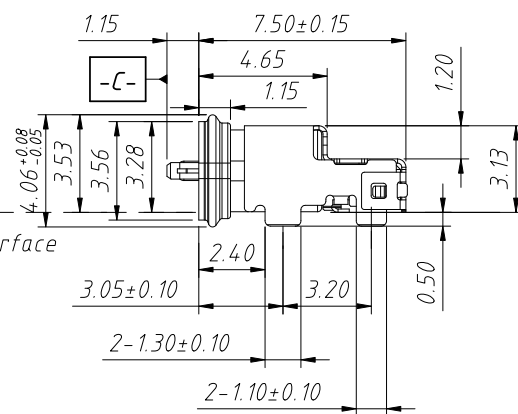
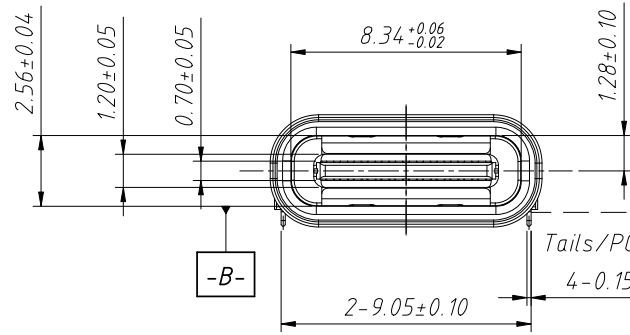
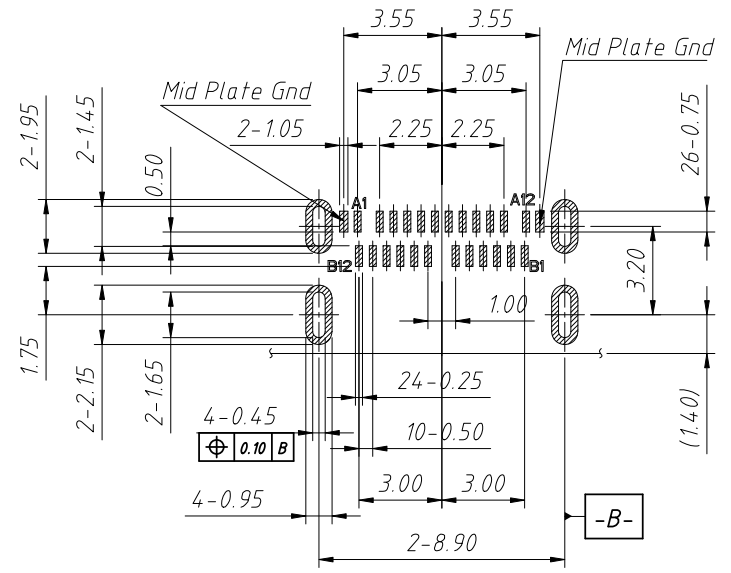
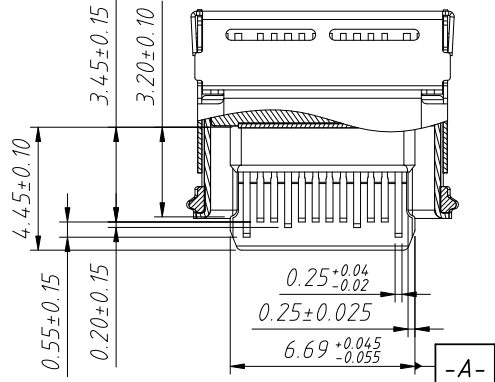
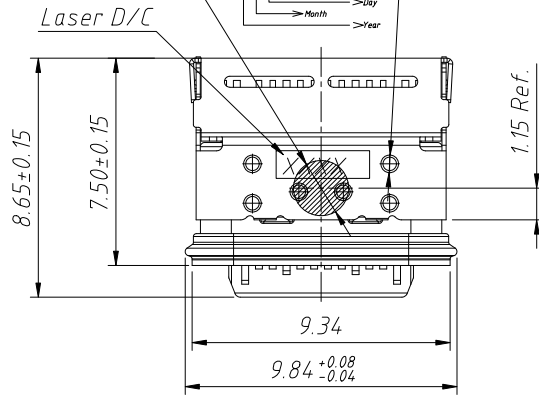
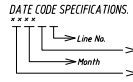
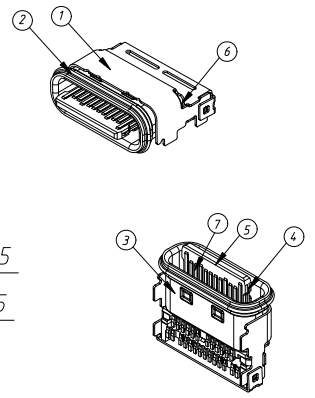
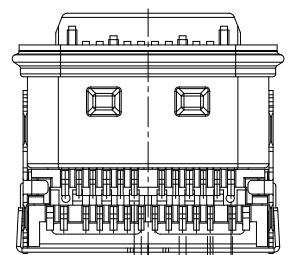


RoHS Compliance

∅2.00 Pick&Place Area Laser solder(positive and negative)



RECOMMENDED P.C.B LAYOUT (COMPONENT SIDE)
PCB THICKNESS: 0.80±0.05mm
DEFAULT TOLERANCE: ±0.05mm



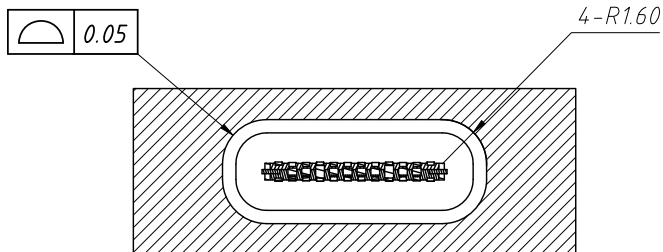
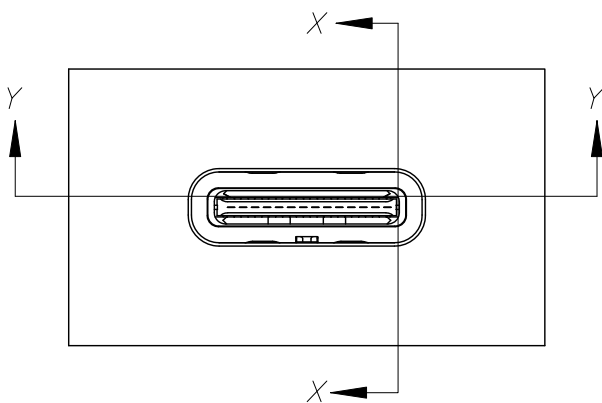
PIN ASSIGNMENTS:

A1	A2	A3	A4	A5	A6	A7	A8	A9	A10	A11	A12
GND	TX1+	TX1-	Vbus	CC1	D+	D-	SBU1	Vbus	RX2-	RX2+	GND
B12	B11	B10	B9	B8	B7	B6	B5	B4	B3	B2	B1
GND	RX1+	RX1-	Vbus	SBU2	D-	D+	CC2	Vbus	TX2-	TX2+	GND

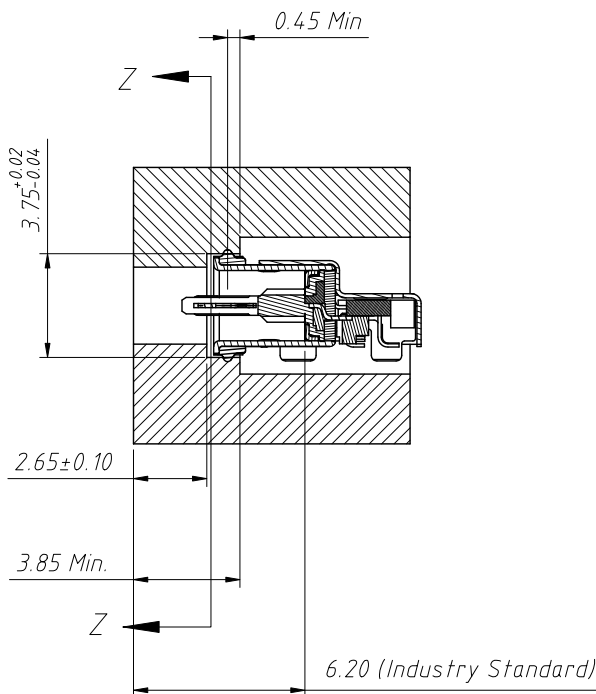
ANGLE TOLERANCE	PROJECTION	Description:		
±3°		Type-C 24P IPX8 Waterproof Connector		
GENERAL TOLERANCE	UNITS	mm	KLS P/N:	L-KLS1-PUB-032-R
x.x ±0.30	SHEET SIZE	A4		
x.xx ±0.20	Draw:	Daniel	2020-11-11	NingBo KLS ELECTRONIC CO.,LTD.
x.xxx ±0.10	Check:	Daniel	2020-11-11	

1 RoHS Compliance

Recommended Opening Dimensions
Of Case Mating Area With Sealing Ring



Section Z-Z
Scale:5:1



Section X-X
Scale:5:1

1.ELECTRICAL CHARACTERISTICS:

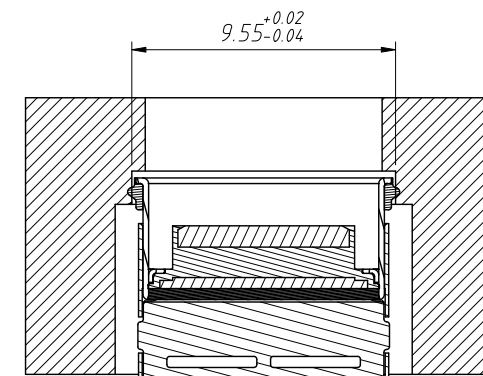
- 1.1 CURRENT RATING:5A
- 1.2 CONTACT RATED VOLTAGE:30V AC
- 1.3 TEMPERATURE RANGE:-40°C ~ 85°C
- 1.4 CONTACT RESISTANCE:40 MILLIONHM MAX.
- 1.5 DIELECTRIC WITHSTANDING VOLTAGE: 100 VAC r.m.s
- 1.6 INSULATION RESISTANCE: 100 MEGOHMS MIN.

2.MECHANICAL CHARACTERISTICS

- 2.1 INSERTION FORCE: 5 ~ 20N
- 2.2 EXTRACTION FORCE: Initial:8 ~ 20N;
Durability:6 ~ 20N(10000cycles)
- 2.3 DURABILITY:10,000CYCLES

3.2. IR REFLOW:

THE PEAK TEMPERATURE ON THE BOARD SHALL BE MAINTAINED FOR 10 SECONDS AT 260°C.



Section Y-Y
Scale:5:1

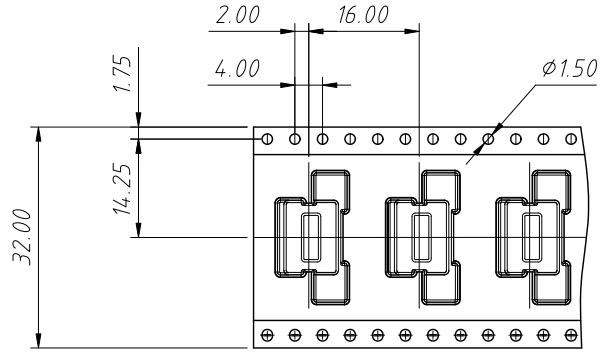
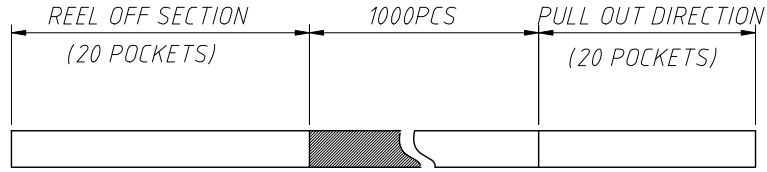
Item	PART NAME	QTY	Material	Treatment
1	CLIP	1	SUS	Ni plating on the soldering area
2	O-RING	1	SILICONE	N/A
3	SHELL	1	SUS	N/A
4	PLATE	1	SUS	Ni plating on the soldering area
5	I/M HOUSING	1	Thermoplastic	Black
6	CLAMP	2	SUS	N/A
7	CONTACT	1	Copper alloy	Ni plating on the soldering area Au plating on contact area Au plating on soldering area
8	GLUE	1	SILICONE	Black

ANGLE TOLERANCE	PROJECTION	Description:
±3°		Type-C 24P IPX8 Waterproof Connector
GENERAL TOLERANCE	UNITS	mm
x.x ±0.30	SHEET SIZE	A4
x.xx ±0.20	Draw:	Daniel 2020-11-11
x.xxx ±0.10	Check:	Daniel 2020-11-11

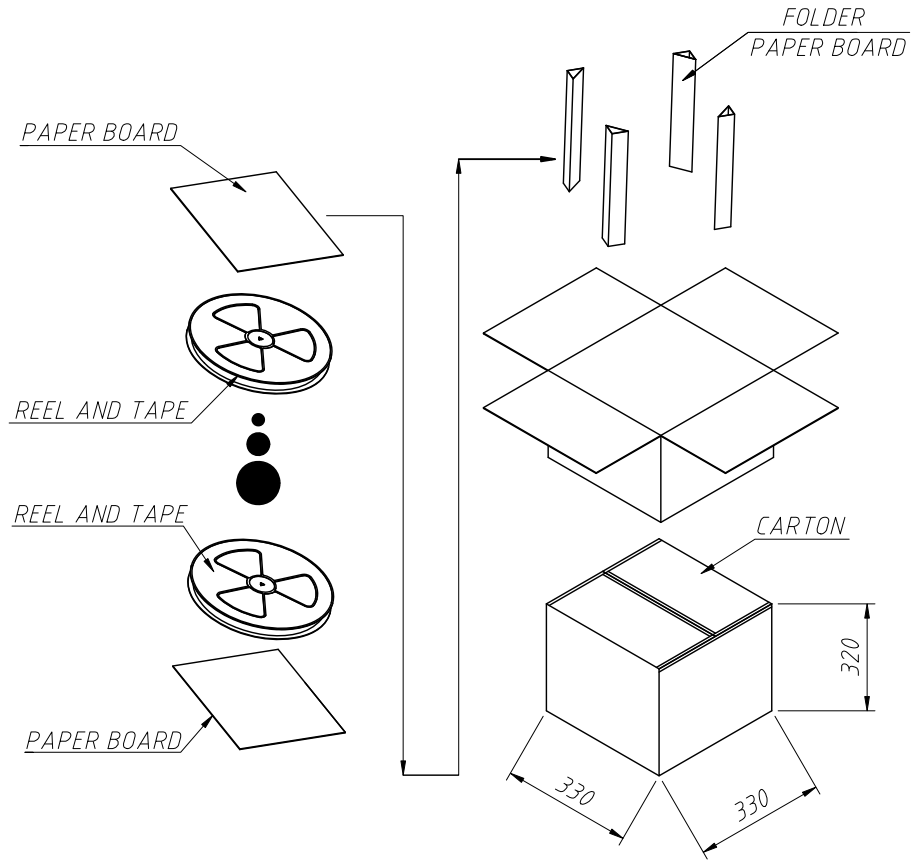
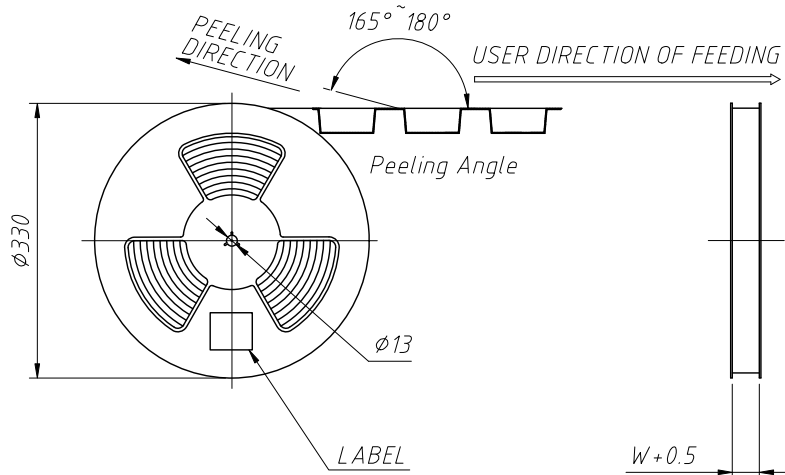
KLS NingBo KLS ELECTRONIC CO.,LTD.

L-KLS1-PUB-032-R

1 RoHS Compliance



← PRODUCT PACKAGING DIRECTION
CUSTOMER TO USE DIRECTION →



CONN. PART NO.	CONN. QTY./REEL	REEL QTY./CARTON	CONN. QTY./CARTON
L-KLS1-PUB-032-R	1000	10	10000 PCS

ANGLE TOLERANCE	PROJECTION	Description:
$\pm 3^\circ$		Type-C 24P IPX8 Waterproof Connector
GENERAL TOLERANCE	UNITS	mm
x.x ± 0.30	SHEET SIZE	A4
x.xx ± 0.20	Draw:	Daniel 2020-11-11
x.xxx ± 0.10	Check:	Daniel 2020-11-11



NingBo KLS ELECTRONIC CO.,LTD.