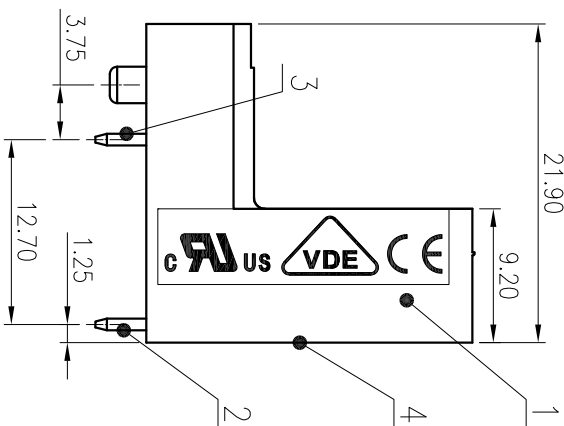
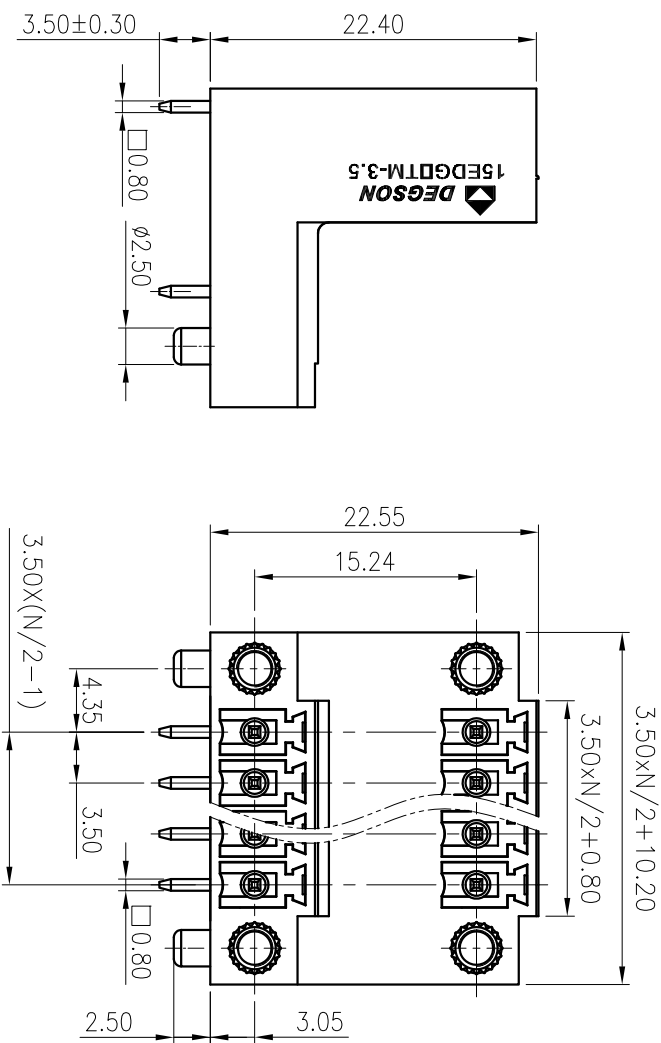
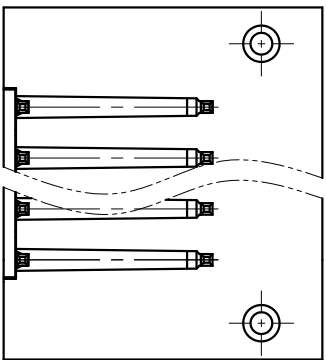
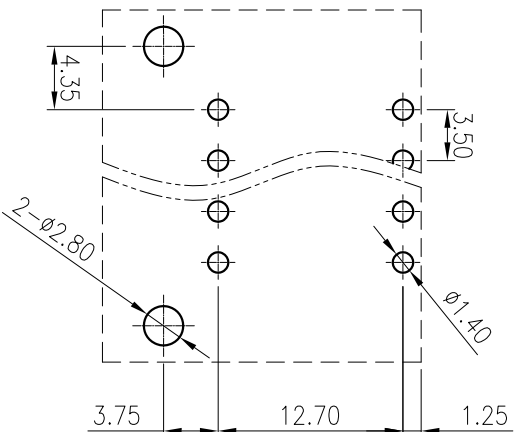


标注公差/General tolerances(mm)		0	>3	>6	>10	>18	>30	>50	>80	>120	>180	>250	>315	>400	0.1/10
~	~	~	~	~	~	~	~	~	~	~	~	~	~	~	~
±0.12	±0.18	±0.22	±0.26	±0.31	±0.37	±0.57	±0.80	±0.93	±1.05	±1.15	±1.60	±2.20	±2.50	±2	±2



PCB LAYOUT



5	Screw cap	Copper alloy	M2.5
4	Cover	PA66	UL94V-0
3	Pin 2	Copper alloy	Sn plated
2	Pin 1	Copper alloy	Sn plated
1	Housing	PA66	UL94V-0
ITEM	NAME OF PART	MATERIAL	NOTES
UL 标准/UL Standard:	B	C	D
额定电压/Rated Voltage(V)/Current(A)	300/8	/	/
EC 标准/IEC Standard:			
过压类别/Overvoltage Category/污染等级/Pollution Degree	III/3	III/2	II/2
额定电压/电流/Rated Voltage(V)/Current(A)	/	/	250/7
额定脉冲电压(KV)/Rate Impulse Voltage(KV)	/	/	2.5
间距/Pitch(mm)/线数范围/Poles	3.50/N=04~48P		
使用温度范围/Operating temperature(°C)	-40~+105		
符合RoHS环保要求/Conform to RoHS	Yes		

SURFACE:

MATERIAL:

MAT NO.:

STATUS:

Appd:Lon

CHKD:YU

DRFT: WU

DEGSON® 宁波高松电子有限公司  
NINGBO DEGSON ELECTRICAL CO., LTD

NAME: 15EDGRTM-3.5-XXP-1Y-00A(H)

DRAWING NO.: 15EDGRTM-3.5-C01

TYPE: CUSTOMER DRAWING

SCALE: 2:1 SHEET 1/1

REV ECN DESCRIPTION DRFT DATE

1 2 3 4

SIZE:A4

1/1

1/1

1/1

1/1

1/1

1/1

1/1

1/1

1/1