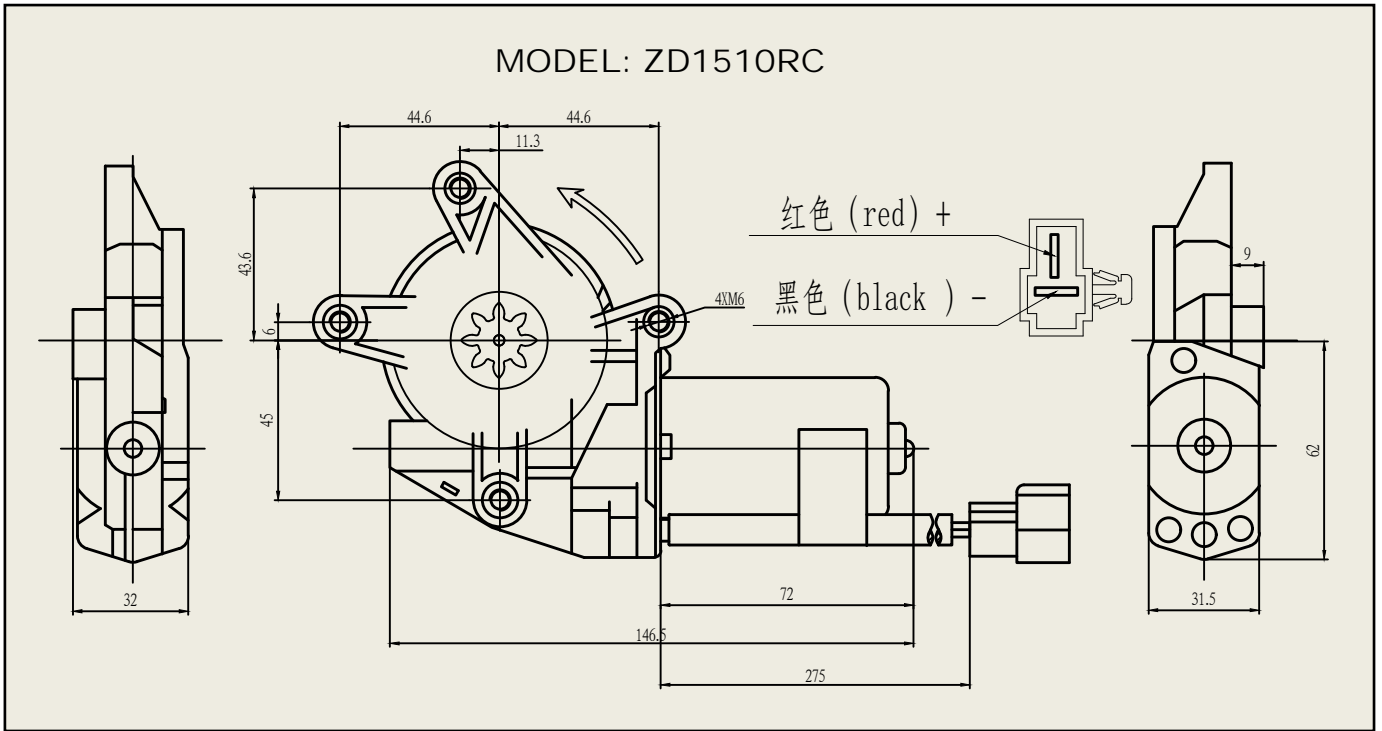
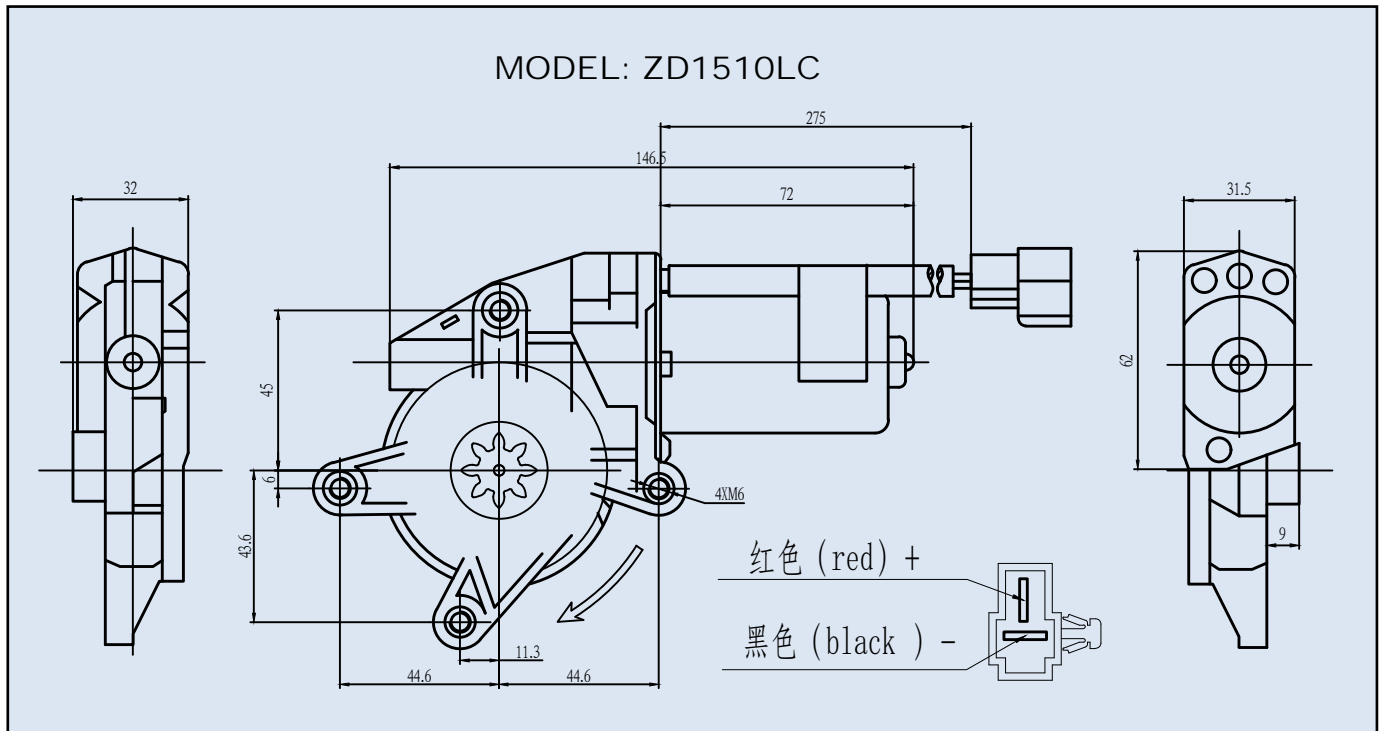


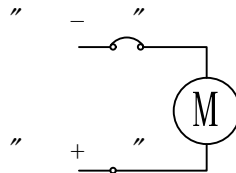
MODEL: ZD1510RC



MODEL: ZD1510LC



Voltage: 12V
 Nominal torque: 2.5Nm
 No-load speed: 95±10rpm
 No-load current: 0.7A
 Nominal current: 3.8A
 Stall Torque: 10Nm



GEAR PARAMETERS		
Gear number	Z	8
Module	m	2
Pressure Angle	α	20°
Modification coefficient	x	+0.25
Across a number of teeth	n	2
Length of the common normal	L	
Precision grade	7-6-6级 GB10095-88	

MARK	MODIFY	DATE	Angle tolerance	General tolerance	Signature	Wuhan Ruich Greatup Industry Limited				MODEL
▲			X° ±1° X' ±0.5° XX' ±0.01° XXX ±0.005°	X ±0.1 X' ±0.05 XX ±0.010 XXX ±0.005		View	Edition	weight	Ratio	
▲						Design	A-0			Page:
▲						Validation				
						Approve				
						Date				