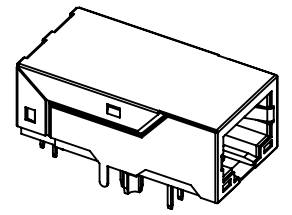
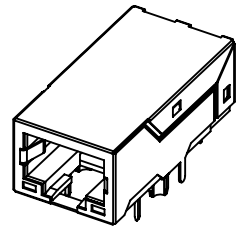
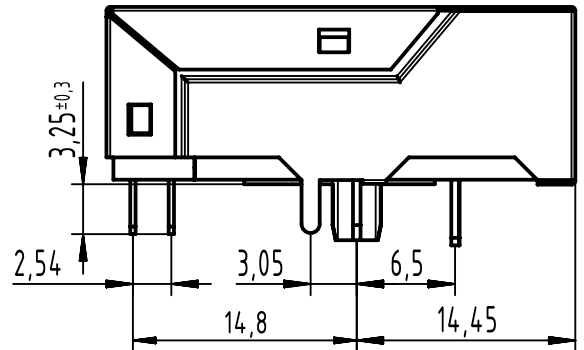


Mating face  
acc. to IEC 60603-7



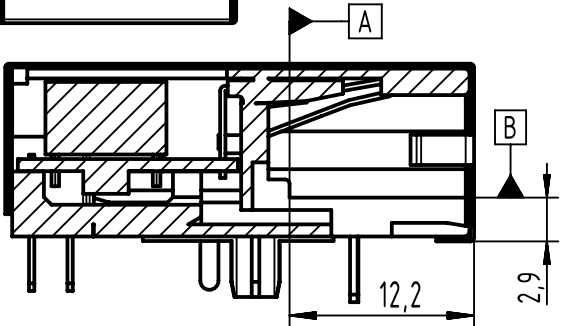
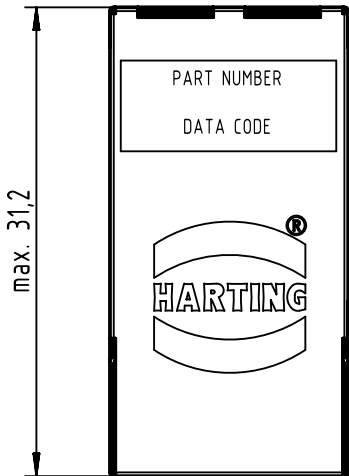
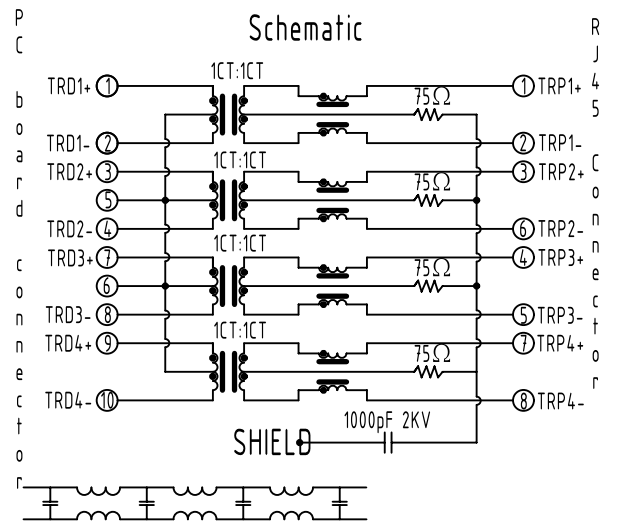
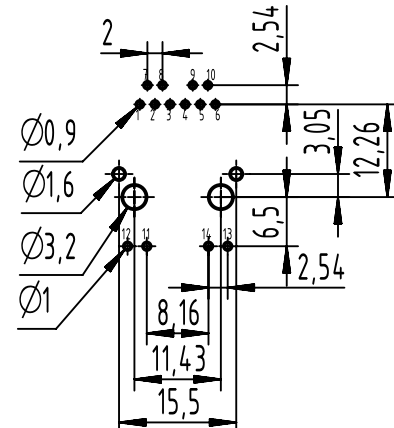
LED DISPLAY	
LED 1	LED 2
GREEN 11	GREEN 13
YELLOW 12	YELLOW 14

**Material:**  
 Housing material: POLYESTER or HIGH Temp UL94V-0  
 Shield material: 0.25mm THICKNESS BRASS Plating Nickel  
 Contact material: Phosphor Bronze T=0.30mm  
 Plating contact: gold plating over nickel

**Technical data:**  
 In accordance with IEEE 802.3u & TIA 1096A  
 For 10/100/1000 base transmission over UTP-5 cable  
 Storage: -40°C to 85°C  
 Operation: -25°C to 70°C  
 Operating lifetime: 750 cycles min

**Packaging:**  
 56 pieces per tray and 13 trays per carton

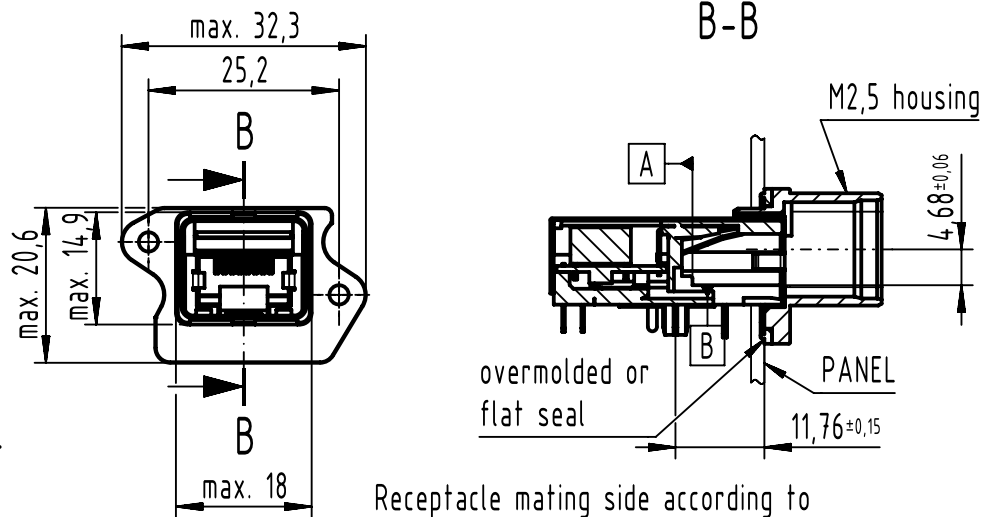
PCB Board Layout  
Component Side Shown



	All Dimensions in mm Original Size DIN A4		Scale 2:1	Free size tol.		Ref.		
	All rights reserved		Created by SERBANA	Inspected by PREOTU	Standardisation ROEBEN	Date 2022-08-18	State Final Release	
Department EL PD		Title RJ45 jack 1Gbit LV biLEDs LV					Doc-Key / ECM-Nr. 100656790/UGD/001/B 500000223531	
HARTING D-32339 Espelkamp		Type TB	Number 09455511542			Rev. B	Page 1/4	

MOUNTING INSTRUCTIONS FOR HARTING PUSHPULL  
COMPACT RECEPTACLE HOUSING

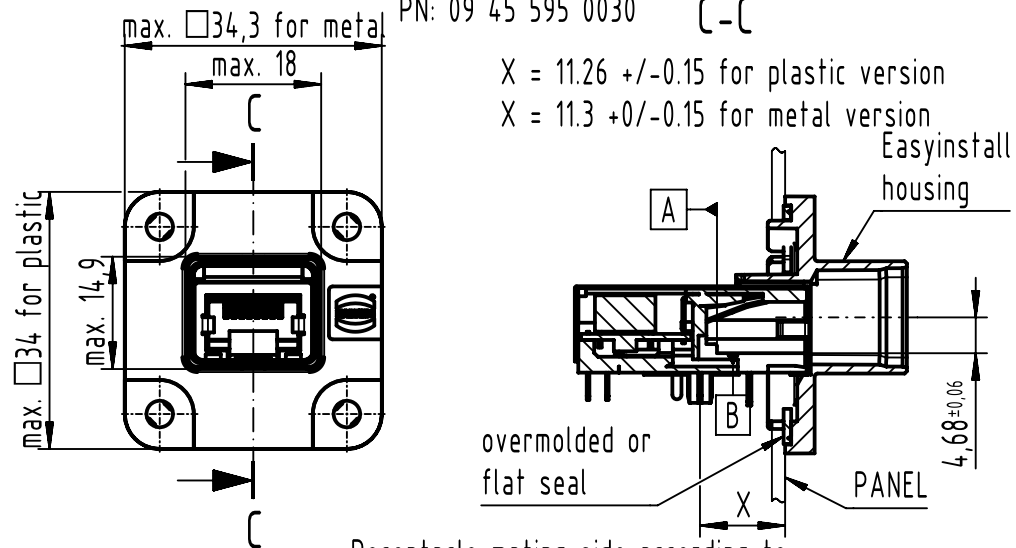
PN: 09 45 545 0023  
PN: 09 45 545 0033



Receptacle mating side according to  
IEC 61076-3-106 variant 4

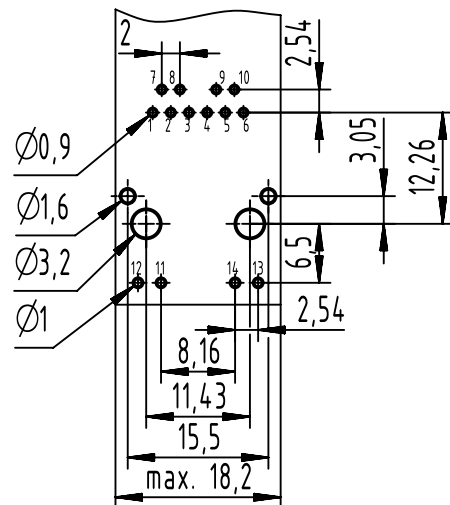
MOUNTING INSTRUCTIONS FOR HARTING PUSHPULL  
EASYINSTALL RECEPTACLE HOUSINGS

PN: 09 45 545 0030  
PN: 09 45 595 0030 C-C



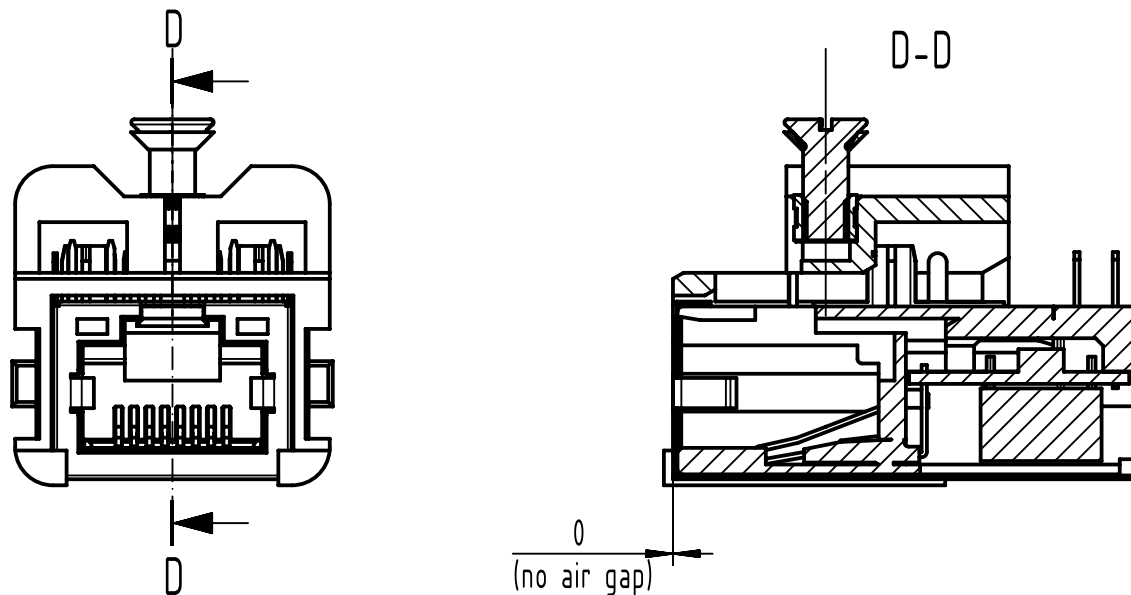
Receptacle mating side according to  
IEC 61076-3-106 variant 4

PCB Board Layout  
Component Side Shown

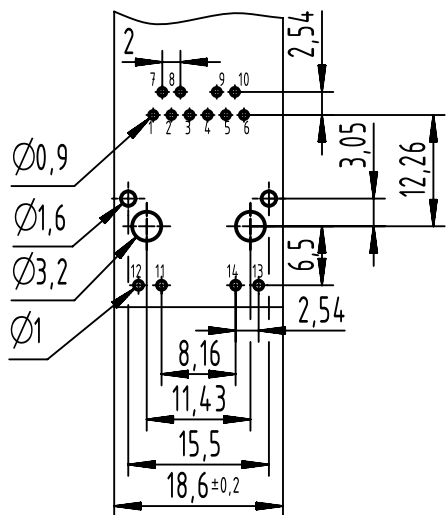


	All rights reserved Department EL PD	All Dimensions in mm Original Size DIN A4			Scale 1:1	Free size tol.	Ref. Sub.
		Created by SERBANA	Inspected by PREOTU	Standardisation ROEBEN	Date 2022-08-18	State Final Release	
HARTING D-32339 Espelkamp		Title RJ45 jack 1Gbit LV biLEDs LV				Doc-Key / ECM-Nr. 100656790/UGD/001/B 500000223531	
		Type TB	Number 09455511542			Rev. B	Page 2/4

MOUNTING INSTRUCTION FOR HAN 3A RJ45 HOUSING  
 WITH HAN 3A ADAPTER WITHOUT FIXING CLIPS  
 09 45 515 0022




PCB Board Layout  
 Component Side Shown



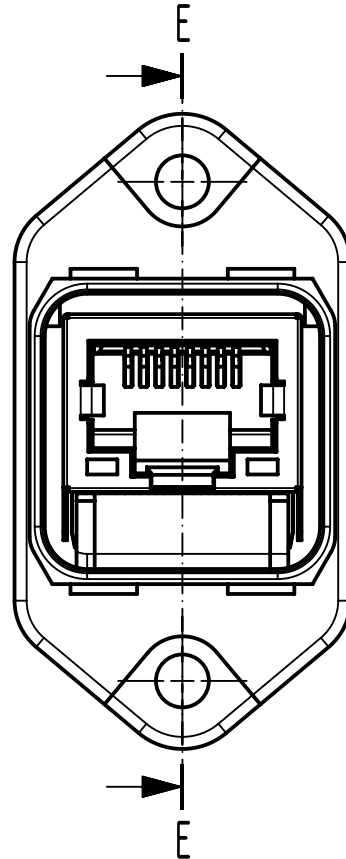
PCB thickness: 1.6mm +/-0.1

Receptacle mating side according to  
 IEC 61076-3-106 variant 5

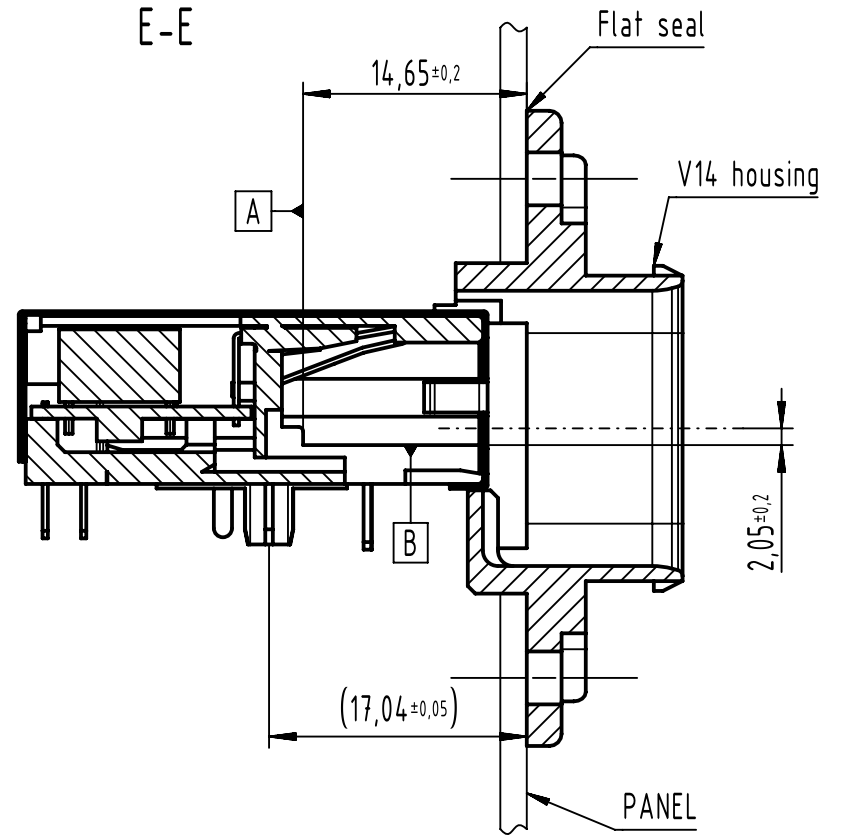
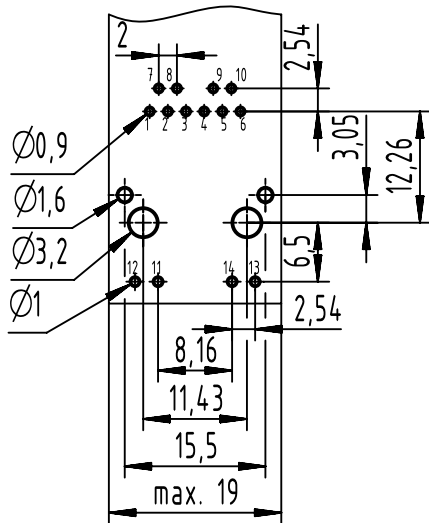
	All rights reserved Department EL PD	All Dimensions in mm Original Size DIN A4		Scale 2:1	Free size tol.	Ref.	
		Created by SERBANA	Inspected by PREOTU	Standardisation ROEBEN	Date 2022-08-18	State Final Release	
HARTING D-32339 Espelkamp		Title RJ45 jack 1Gbit LV biLEDs LV				Doc-Key / ECM-Nr. 100656790/UGD/001/B 500000223531	
		Type TB	Number 09455511542			Rev. B	Page 3/4


MOUNTING INSTRUCTION FOR HAN PUSHPULL RJ45 HOUSING  
09 35 002 0301

Receptacle mating side according to  
DIN EN 61076-3-117



PCB Board Layout  
Component Side Shown



	All rights reserved Department EL PD	All Dimensions in mm Original Size DIN A4		Scale 2:1	Free size tol.	Ref. Sub.	
		Created by SERBANA	Inspected by PREOTU	Standardisation ROEBEN	Date 2022-08-18	State Final Release	
HARTING D-32339 Espelkamp		Title RJ45 jack 1Gbit LV biLEDs LV				Doc-Key / ECM-Nr. 100656790/UGD/001/B 500000223531	
		Type TB	Number 09455511542			Rev. B	Page 4/4