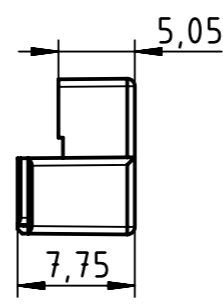
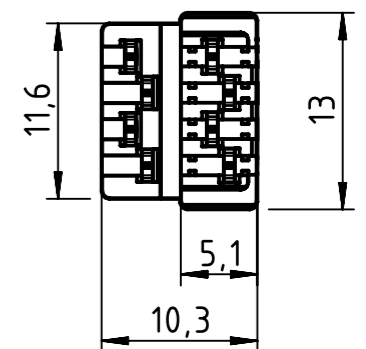
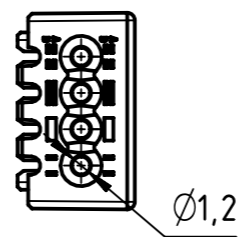
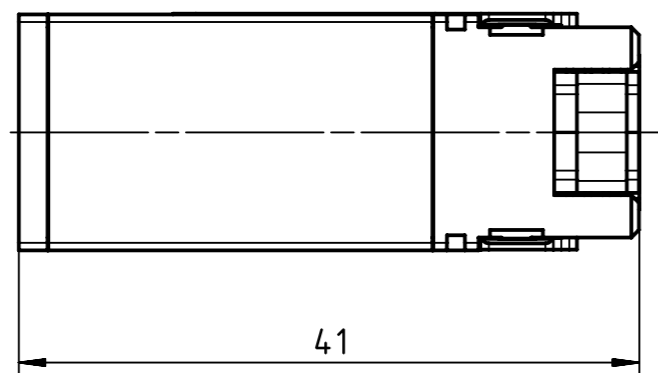
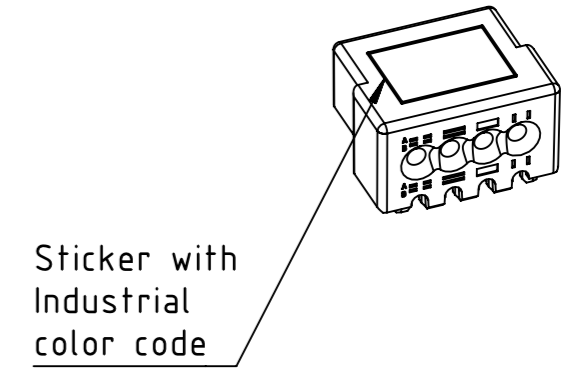
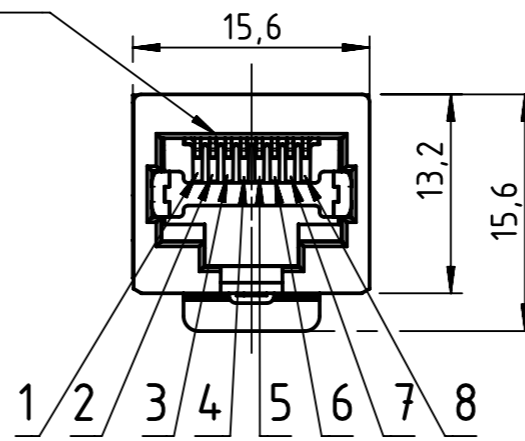
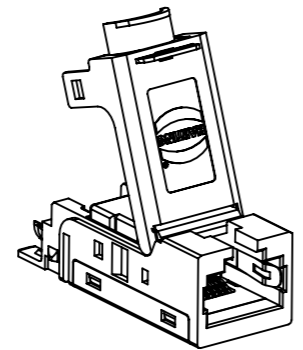
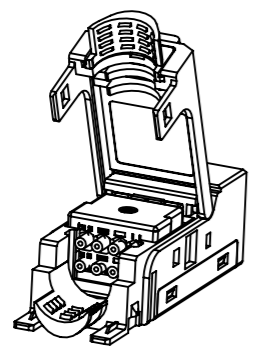


RJ45 mating face according to IEC 60603-7



Cable Tie



Cable tie for strain-relief included
For further information see DS 20 82 101 0010

	All rights reserved Department EL PD HARTING Electronics GmbH D-32339 Espelkamp	All Dimensions in mm Original Size DIN A3		Scale 2:1	Free size tol.	Ref. Sub.
		Created by PREOTU	Inspected by PRIESTER	Standardisation KOHLER	Date 2020-08-11	State Final Release
Title RJ45 RJ45 10G Cat.6, 8p jack IDC AWG28-24					Doc-Key / ECM-Nr. 10029920/UGD/003/E 500000177500	
Type TB				Number 09455451561		Rev. E
						Page 1/1