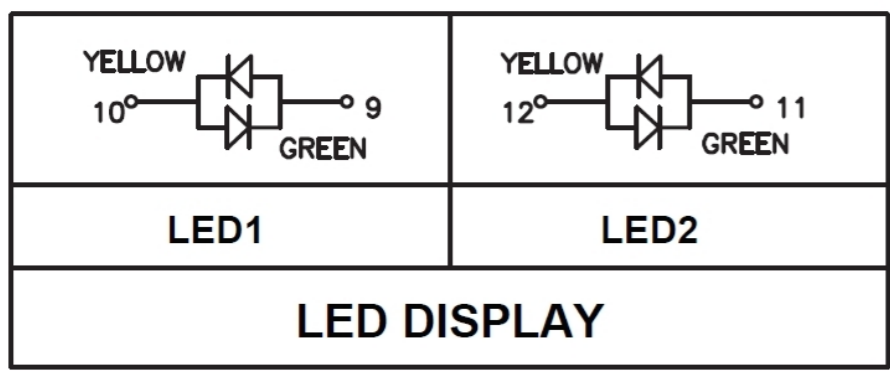
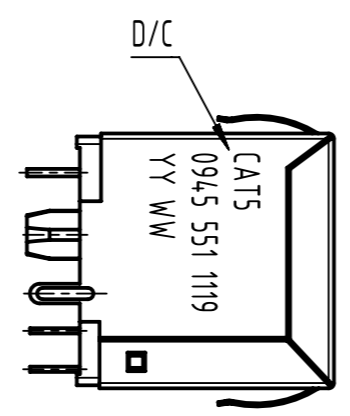
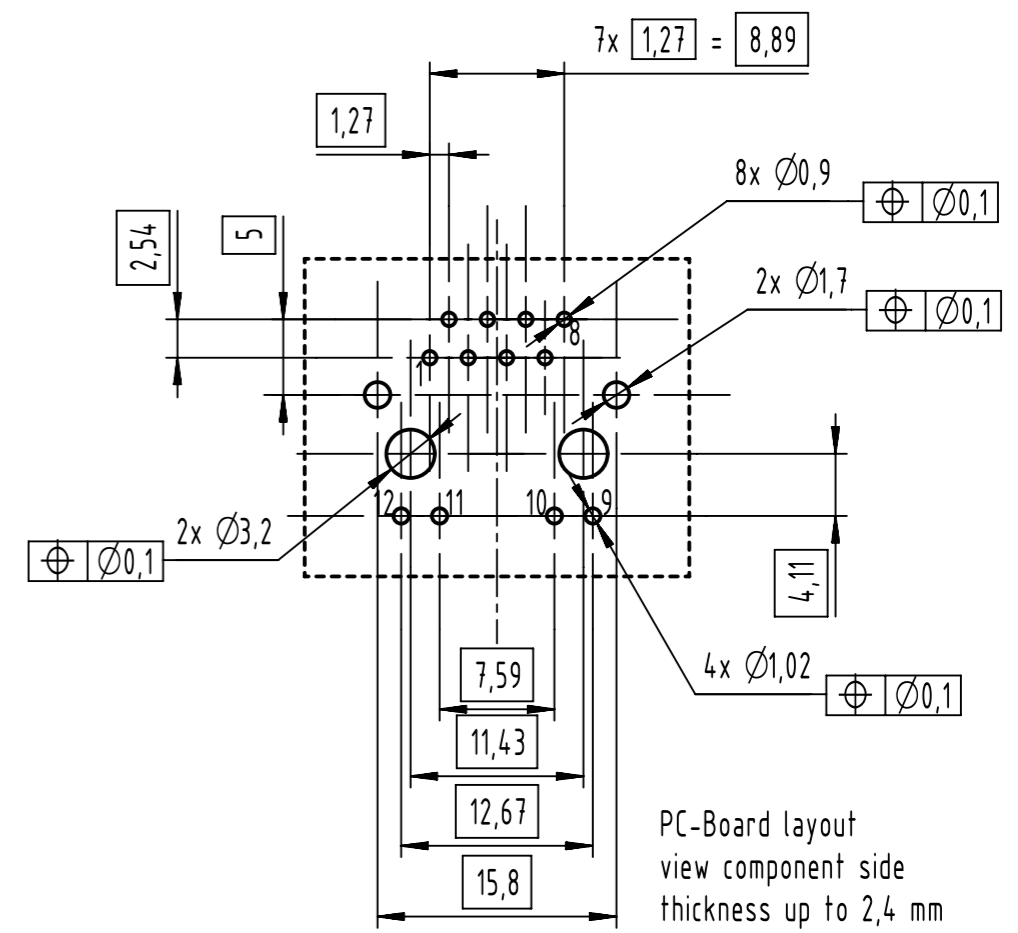
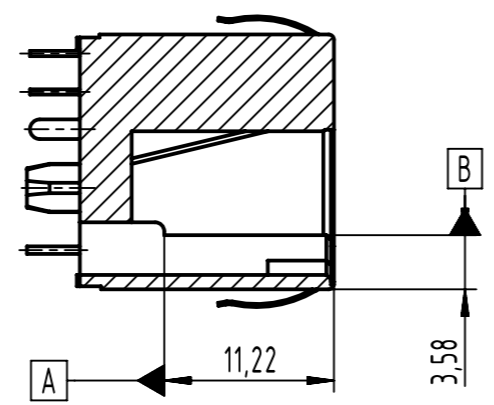


A-A



	All rights reserved	Created by PREOTU	Inspected by PRIESTER	Standardisation 302077	Date 2021-05-12	State Final Release
	Department EL PD	Title RJ45 jack Cat.5 LED gn/ye THR vert.		Doc-Key / ECM-Nr. 100544738/UGD/001/D 500000194193		
HARTING D-32339 Espelkamp	Type TB	Number 09455511119		Rev. D	Page 1/1	