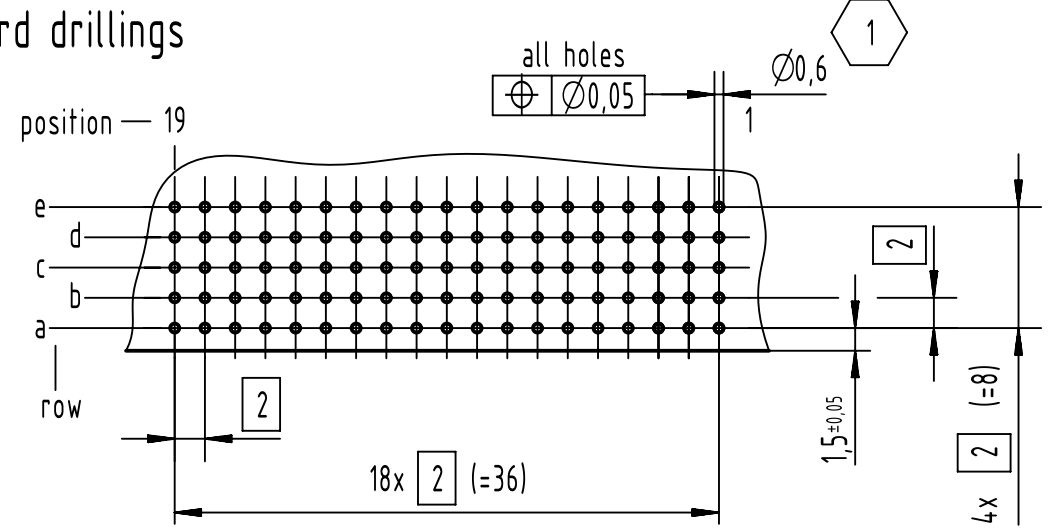


board drillings



1 recommended configuration of plated through holes and further information see: DS 17002200101

17 25 095 4101	NM30 (S4)
17 25 095 2101	2
17 25 095 1101	1
part no.	performance level 1

All rights reserved Department EL PD		All Dimensions in mm Original Size DIN A3	Scale 2:1	Free size tol. IEC 61076-4-101	Ref. Sub. TB 17 25 095 x101 / Mod. 34650 / 04.02.2008
HARTING D-32339 Espelkamp	Created by ELLERMANN	Inspected by STORCK	Standardisation	Date 2023-08-11	State Final Release
Title har-bus HM female type B-19 w/o shield 95-pole					Doc-Key / ECM-Nr. 100120049/UGD/004/B 500000251635
Type TB		Number 1725095X101		Rev. B	Page 1/1