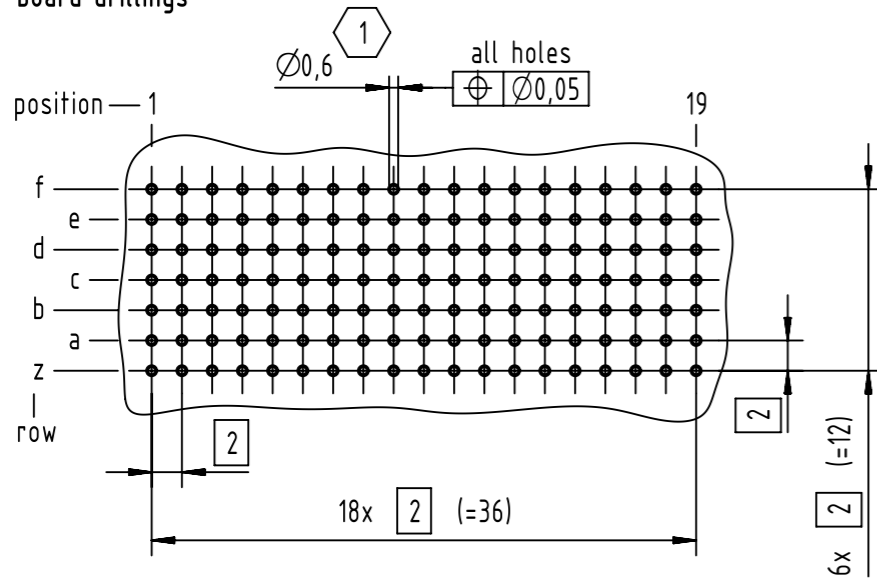


board drillings



contact dimensions

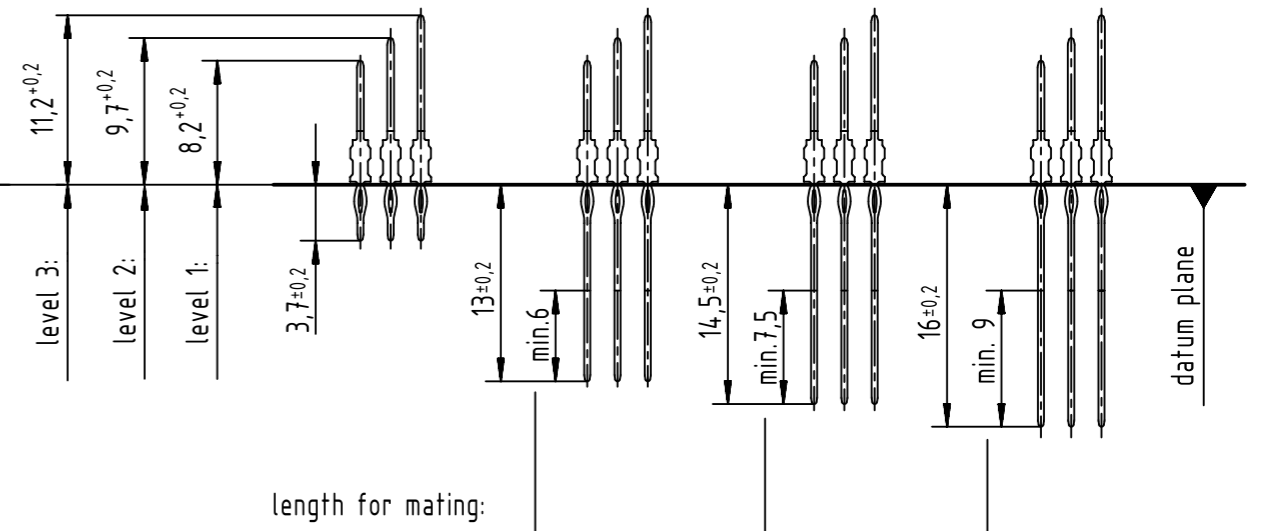
(mating and termination length of contacts apply to pressed in connectors)

pin type — A B C

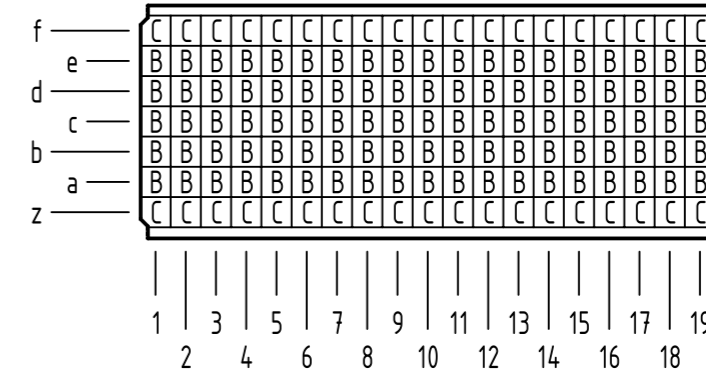
K L M

N P Q

R S T



contact loading



17 05 133 5203	Au50
17 05 133 4203	NM30 (S4)
17 05 133 2203	2
17 05 133 1203	1
part no.	performance level 1

1 recommended configuration of plated through holes and further information see: DS 17001100101

	All rights reserved	Created by STORCK	Inspected by LEHNERT	Standardisation HOFFMANN	Date 2019-02-28	State Final Release
	Department EL PD	Title har-bus HM male type B-19 term. length 3.7 133-pole		Doc-Key / ECM-Nr. 100074073/UGD/054/B 50000014.1026		
HARTING Electronics GmbH D-32339 Espelkamp		Type TB	Number 1705133X203		Rev. B	Page 1/1