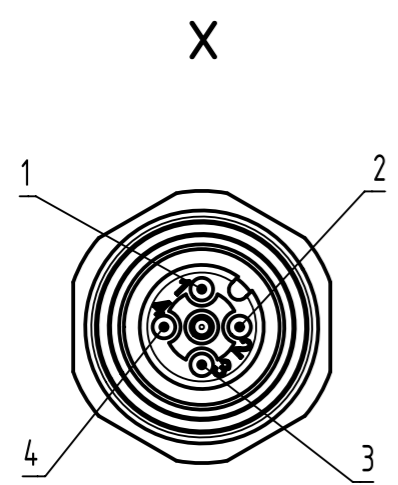
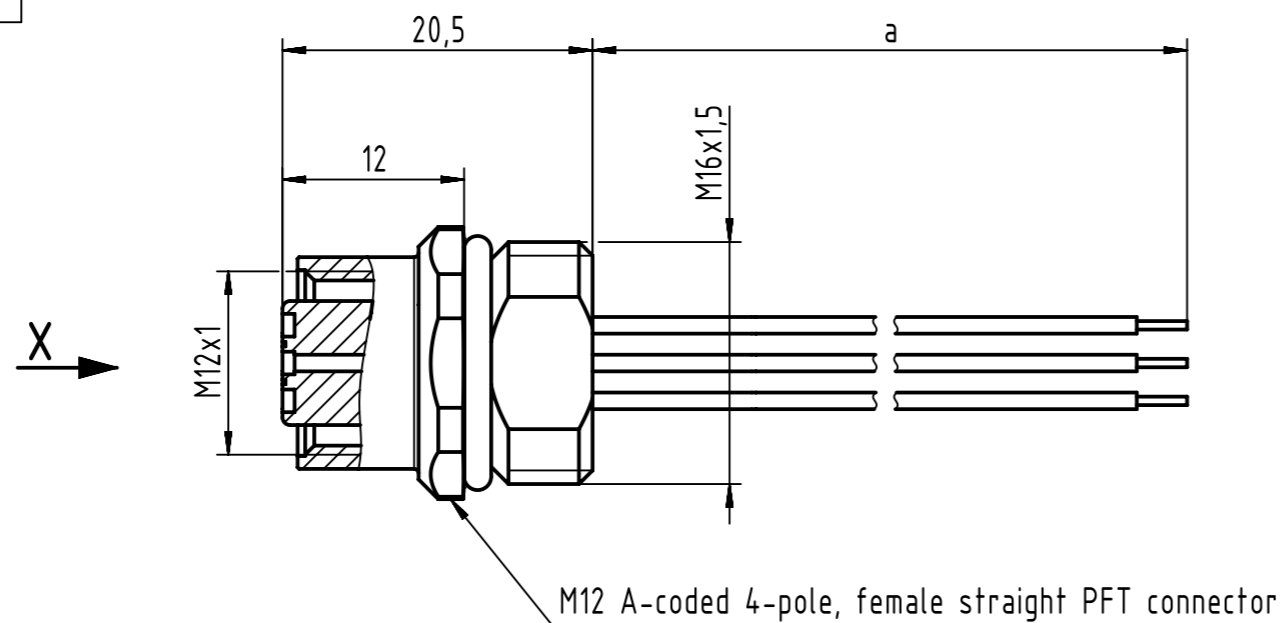


Connector Location A

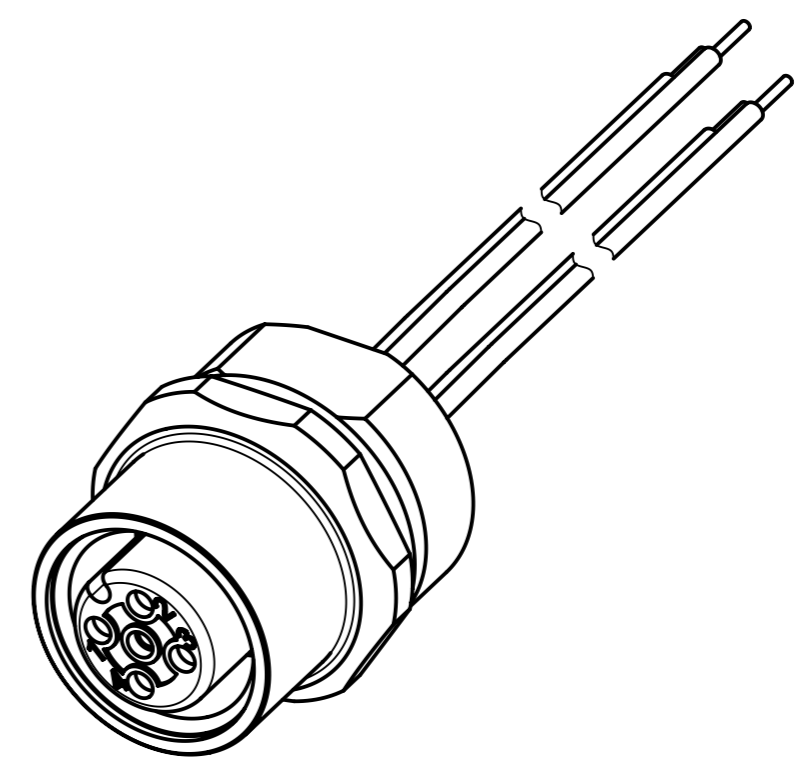
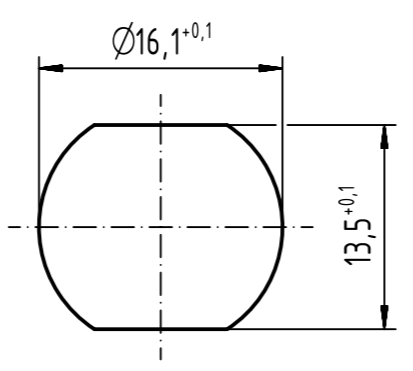
Connector Location B




Loading-Plan:

- 1 brown
- 2 white
- 3 blue
- 4 black

Recommended panel cut-out



- Protection level: IP 65/67
- Temperature range: -30°C ... +80°C
- Order lock nut separately

2		21033176410	AWG 24, PVC	1	 All rights reserved Department EC PD - RO HARTING Electronics GmbH D-32339 Espelkamp	Created by TAMAS	Inspected by AVRAM	Standardisation SCHREIER	Date 2017-07-28	State Final Release	According to production drawing 2016-09-05 Doc-Key / ECM-Nr. 100580483/UGD/009/E 500000122985 Rev. E Page 1/1
1		21033176405		0.5		Title M12 A-coded Cable Assembly Type TB Number 210331764XX					
Cont. No.	Part - no.		Type of cable	Dim. a[m]							