

PF Series

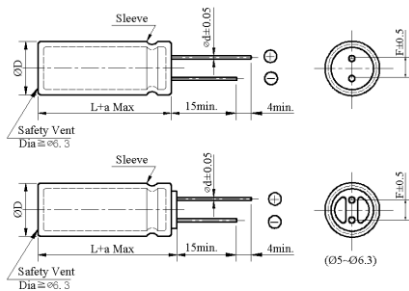


- General standard size
- Load life 2,000 hours at 105°C

◆ SPECIFICATIONS

Item	Performance Characteristics	
Category Temperature Range	-40 ~ +105°C	-25 ~ +105°C
Working Voltage Range	6.3 ~ 100Vdc	160 ~ 450Vdc
Capacitance Range	0.47 ~ 22,000μF	0.47 ~ 560 μF
Capacitance Tolerance	±20% (at 25°C and 120Hz)	
Dissipation Factor (tanδ) (at 25°C, 120Hz)	Rated Voltage (V)	6.3 10 16 25 35 50 63 100 160 ~ 250 400 ~ 450
	tanδ(Max)	0.26 0.22 0.18 0.16 0.14 0.12 0.10 0.10 0.15 0.20
The above values should be increased by 0.02 for every additional 1000μF		
Leakage Current	I=0.01CV or 3μA whichever is greater(6.3 ~ 100V) I=0.03CV + 10μA(160 ~ 450V)	
	I : Leakage current (μA) C : Rated capacitance (μF) V : Rated voltage (V) Impress the rated voltage for 2 minutes	
Low Temperature Characteristics Impedance Ratio(MAX)	Rated voltage (V)	6.3 10 16 25 35 50 63 100 160 ~ 250 350 400 ~ 450
	Z(-40°C)/Z(+20°C)	12 10 8 5 4 3 3 3 — — —
	Z(-25°C)/Z(+20°C)	— — — — — — — 3 6 6
(at 120Hz)		
Endurance	The following requirements shall be satisfied when the capacitor are restored to 25°C after the rated voltage applied for 2,000 hours at 105°C.	
	Capacitance change	≒ ±20% of the initial value
	Dissipation factor(tanδ)	≒ 200% of the specified value
	Leakage current	≒ specified value
Shelf Life	The following requirements shall be satisfied when the capacitor are restored to 25°C after the rated voltage applied for 1,000 hours at 105°C without voltage applied.	
	Capacitance change	≒ ±20% of the initial value
	Dissipation factor(tanδ)	≒ 200% of the specified value
	Leakage current	≒ 200% of the specified value
Others	Conforms to JIS-C-5101-4 (1998), characteristic W	

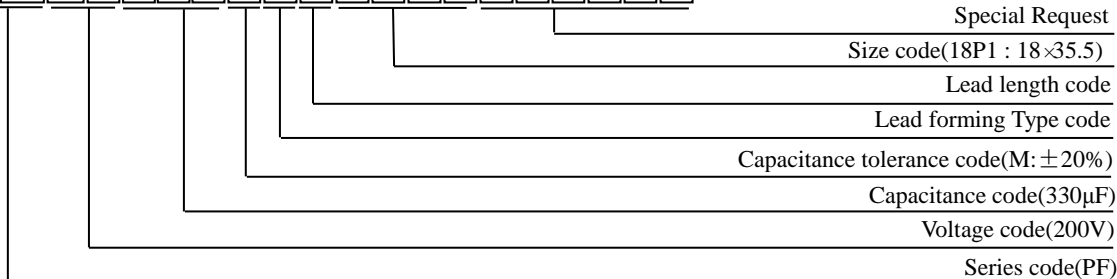
◆ DIMENSIONS (mm)



ΦD	5	6.3	8	10	12.5	16	18	20	22
ΦD	ΦD +0.5 Max							ΦD +1.0 Max	
Φd	0.5	0.5	0.6	0.6	0.6	0.8	0.8	1.0	1.0
F	2.0	2.5	3.5	5.0	5.0	7.5	7.5	10	10
a	L+1.5 Max				≒ 35 L+1.5Max ≒ 40 L+2.0 Max	L+1.5 Max		L+2.0 Max	

◆ PART NUMBER SYSTEM (Example : 200V 330 μF)

P F 2 D 3 3 I M N N I 8 P 1



Aluminum Electrolytic Capacitor

Customer		SERIES	PF	NO.:	PUBLISH DATE	2022-03-25
-----------------	--	---------------	-----------	-------------	---------------------	-------------------

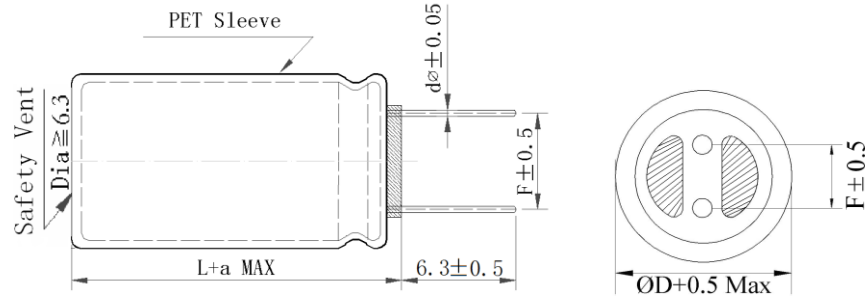


FIG-1

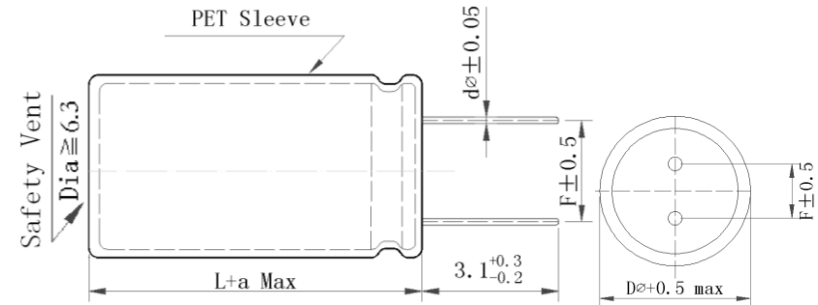


FIG-2

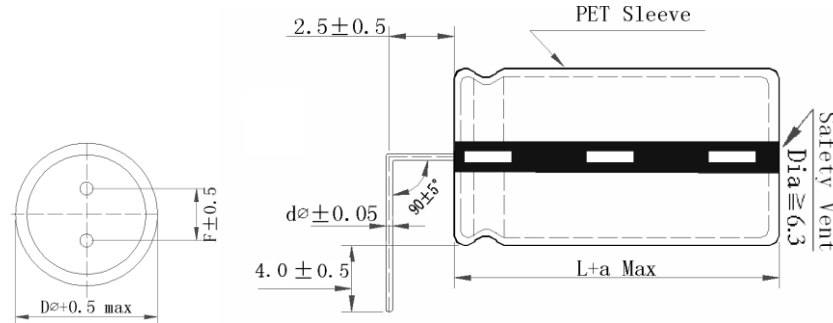
No.	CHINSAN Part No.	Customer Part No.	Capacitance (uF)	Tolerance On rated Capacitance (%)	Working Voltage (Vdc)	Surge Voltage (Vdc)	Category Temp Range (°C)	Tanδ @ 25°C (120Hz) (Max)	Leakage Current (uA) (2 min.)	Rated Ripple Current (mA rms) @ 105°C 120Hz	Rated Ripple Current (mA rms) @ 105°C 100kHz	ESR @25°C (mΩ max/ 120Hz)	Impedance @20°C (mΩ max/ 100kHz)	Endurance @ 105°C (Hours)	Dimensions (mm)					Appearance Drawing No
															DΦ	L	a	d	F	
1	PF1H3R3MC60511UP	/	3.3 μF	±20%	50 V	/	-40~+105	/	/	29	/	/	/	2000	5	11	/	/	2	FIG-1
2	PF2D330MCE1212F3	/	33 μF	±20%	200 V	/	-25~+105	/	/	500	/	/	/	3000	12.5	12	/	/	5	FIG-2

※Test leakage current before testing dissipation factor and capacitance during the electric characteristic test.

REMARKS:	APPROVED BY	CHECKED BY	PREPARED BY
Sleeve Color: Black. Suffix U indicates convex rubber cover.	张洪斌	曾爱娥	梁慧妍

Aluminum Electrolytic Capacitor

Customer		SERIES	PF	NO.:	PUBLISH DATE	2022-03-25
-----------------	--	---------------	-----------	-------------	---------------------	-------------------



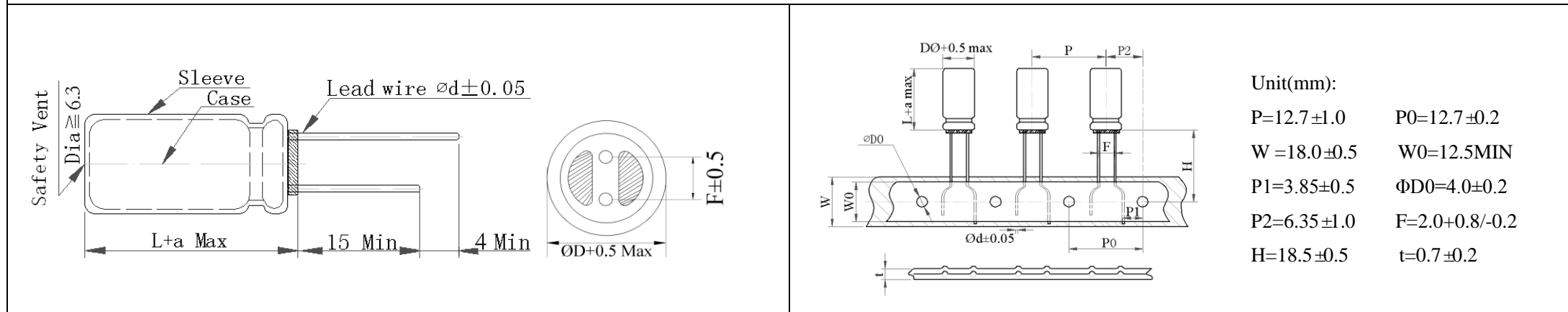
No.	CHINSAN Part No.	Customer Part No.	Capacitance (uF)	Tolerance On rated Capacitance (%)	Working Voltage (Vdc)	Surge Voltage (Vdc)	Category Temp Range (°C)	Tanδ @ 25°C (120Hz) (Max)	Leakage Current (uA) (2 min.)	Rated Ripple Current (mA rms) @ 105°C 120Hz	Rated Ripple Current (mA rms) @ 105°C 100kHz	ESR @25°C (mΩ max/ 120Hz)	Impedance @20°C (mΩ max/ 100kHz)	Endurance @ 105°C (Hours)	Dimensions (mm)					Appearance Drawing No
															DΦ	L	a	d	F	
1	PF2C560MSD1020	/	56 μF	±20%	160 V	/	-25~+105	/	/	750	/	/	/	2000	10	20	/	/	5	---
2	PF2D560MSD1020F4R	/	56 μF	±20%	200 V	/	-25~+105	/	/	/	760	/	/	4000	10	20	/	/	5	--

※Test leakage current before testing dissipation factor and capacitance during the electric characteristic test.

REMARKS:	APPROVED BY	CHECKED BY	PREPARED BY
Sleeve Color: Black.	张洪斌	曾爱娥	梁慧妍

Aluminum Electrolytic Capacitor

Customer		SERIES	PF	NO.:	PUBLISH DATE	2022-03-25
-----------------	--	---------------	-----------	-------------	---------------------	-------------------



Original

FIG-1

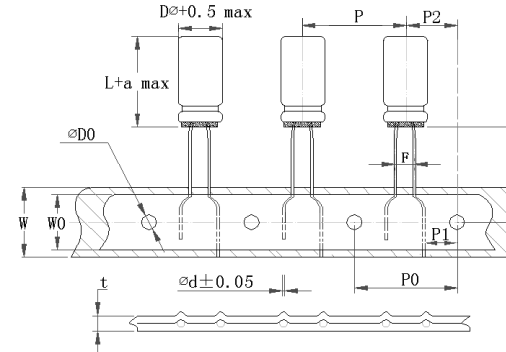
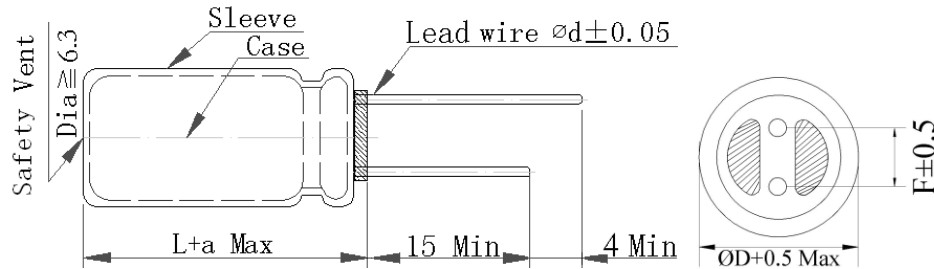
No.	CHINSAN Part No.	Customer Part No.	Capacitance (uF)	Tolerance On rated Capacitance (%)	Working Voltage (Vdc)	Surge Voltage (Vdc)	Category Temp Range (°C)	Tanδ @ 25°C (120Hz) (Max)	Leakage Current (uA) (2 min.)	Rated Ripple Current (mA rms) @ 105°C 120Hz	Rated Ripple Current (mA rms) @ 105°C 100kHz	ESR @25°C (mΩ max/ 120Hz)	Impedance @20°C (mΩ max/ 100kHz)	Endurance @ 105°C (Hours)	Dimensions (mm)					Appearance Drawing No
															DΦ	L	a	d	F	
1	PF1H330MPZ0511RU	/	33 μF	±20%	50 V	/	-40~+105	/	/	90	/	/	/	2000	5	11	/	/	2	FIG-1

※Test leakage current before testing dissipation factor and capacitance during the electric characteristic test.

REMARKS:	APPROVED BY	CHECKED BY	PREPARED BY
Sleeve Color: Black. Suffix U indicates convex rubber cover.	张洪斌	曾爱娥	梁慧妍

Aluminum Electrolytic Capacitor

Customer		SERIES	PF	NO.:	PUBLISH DATE	2022-03-25
-----------------	--	---------------	-----------	-------------	---------------------	-------------------



Unit (mm):

P=12.7±1.0

H=18.5±0.5

P0=12.7±0.2

P1=3.85±0.5

P2=6.35±1.0

W=18.0±0.5

F=2.5+0.8/-0.2

W0=12.5MIN

ΦD0=4.0±0.2

t=0.7±0.2

Original

FIG-1

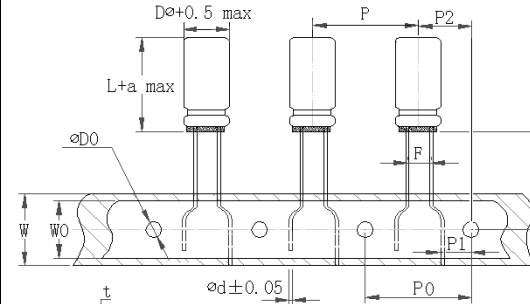
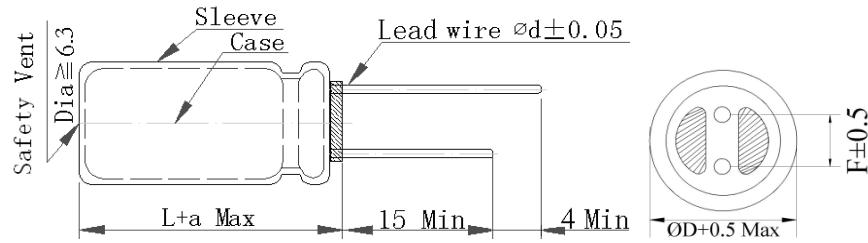
No.	CHINSAN Part No.	Customer Part No.	Capacitance (uF)	Tolerance On rated Capacitance (%)	Working Voltage (Vdc)	Surge Voltage (Vdc)	Category Temp Range (°C)	Tanδ @ 25°C (120Hz) (Max)	Leakage Current (uA) (2 min.)	Rated Ripple Current (mA rms) @ 105°C 120Hz	Rated Ripple Current (mA rms) @ 105°C 100kHz	ESR @25°C (mΩ max/ 120Hz)	Impedance @20°C (mΩ max/ 100kHz)	Endurance @ 105°C (Hours)	Dimensions (mm)					Appearance Drawing No
															DΦ	L	a	d	F	
1	PF1H220MP20511R	/	22 μF	±20%	50 V	/	-55~+105	/	/	75	/	/	/	2000	5	11	/	/	2.5	FIG-1
2	PF1H470MP20511U	/	47 μF	±20%	50 V	/	-40~+105	/	/	110	/	/	/	2000	5	11	/	/	2.5	FIG-1
3	PF1H220MP20511RU	/	22 μF	±20%	50 V	/	-40~+105	/	/	83	/	8220	/	2000	5	11	/	/	2.5	FIG-1

※Test leakage current before testing dissipation factor and capacitance during the electric characteristic test.

REMARKS:	APPROVED BY	CHECKED BY	PREPARED BY
Sleeve Color: Black. Suffix U indicates convex rubber cover.	张洪斌	曾爱娥	梁慧妍

Aluminum Electrolytic Capacitor

Customer		SERIES	PF	NO.:	PUBLISH DATE	2022-03-25
-----------------	--	---------------	-----------	-------------	---------------------	-------------------



Unit (mm):

P=12.7±1.0

H=18.5±0.5

P0=12.7±0.2

P1=3.85±0.5

P2=6.35±1.0

W =18.0±0.5

F=2.5+0.8/-0.2

W0=12.5MIN

$\phi D0=4.0 \pm 0.2$

t=0.7±0.2

Original

FIG-1

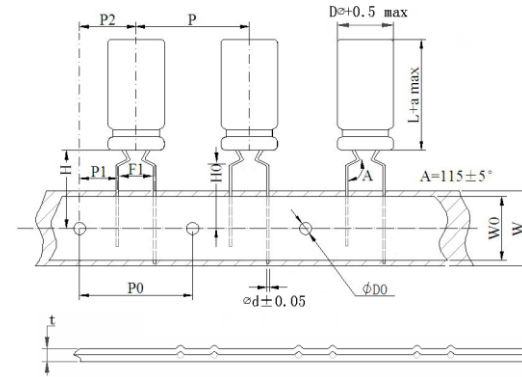
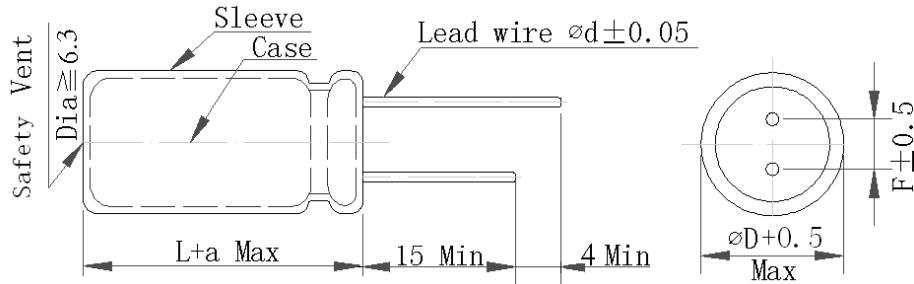
No.	CHINSAN Part No.	Customer Part No.	Capacitance (uF)	Tolerance On rated Capacitance (%)	Working Voltage (Vdc)	Surge Voltage (Vdc)	Category Temp Range (°C)	Tanδ @ 25°C (120Hz) (Max)	Leakage Current (uA) (2 min.)	Rated Ripple Current (mA rms) @ 105°C 120Hz	Rated Ripple Current (mA rms) @ 105°C 100kHz	ESR @25°C (mΩ max/ 120Hz)	Impedance @20°C (mΩ max/ 100kHz)	Endurance @ 105°C (Hours)	Dimensions (mm)					Appearance Drawing No
															Dφ	L	a	d	F	
1	PF1V101MP26311U	/	100 μF	±20%	35 V	/	-40~+105	/	/	160	320	/	1270	2000	6.3	11	/	/	2.5	FIG-1
2	PF1E101MP26311U	/	100 μF	±20%	25 V	/	-40~+105	/	/	145	/	/	/	2000	6.3	11	/	/	2.5	FIG-1
3	PF1E221MP26311U	/	220 μF	±20%	25 V	/	-40~+105	/	/	210	/	/	700	2000	6.3	11	/	/	2.5	FIG-1

※Test leakage current before testing dissipation factor and capacitance during the electric characteristic test.

REMARKS:	APPROVED BY	CHECKED BY	PREPARED BY
Sleeve Color: Black. Suffix U indicates convex rubber cover.	张洪斌	曾爱娥	梁慧妍

Aluminum Electrolytic Capacitor

Customer		SERIES	PF	NO.:	PUBLISH DATE	2022-03-25
-----------------	--	---------------	-----------	-------------	---------------------	-------------------



Unit(mm):

P=12.7±1.0	H0=16.0±0.5
P0=12.7±0.2	W =18.0±0.5
P1=3.85±0.5	W0=12.5MIN
P2=6.35±1.0	ΦD0=4.0±0.2
F1=5.0+0.8/-0.2	H=18.5±0.5
t=0.7±0.2	

Original

FIG-1

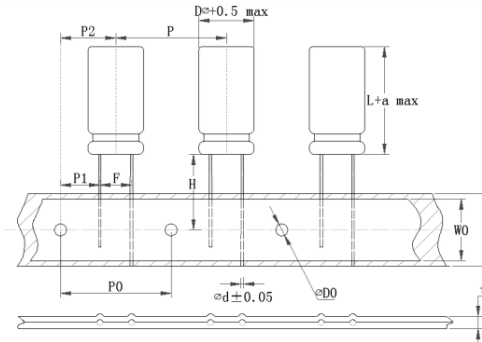
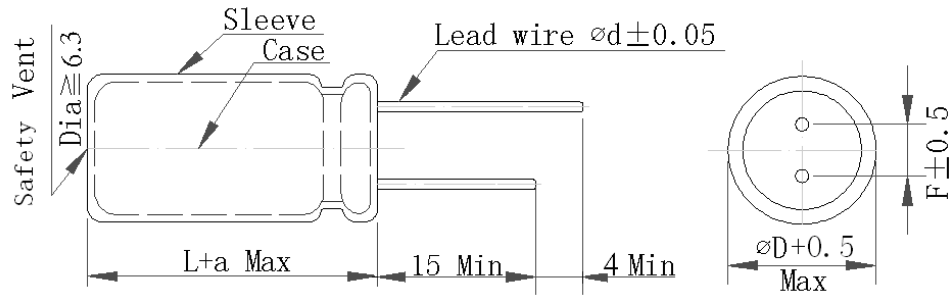
No.	CHINSAN Part No.	Customer Part No.	Capacitance (uF)	Tolerance On rated Capacitance (%)	Working Voltage (Vdc)	Surge Voltage (Vdc)	Category Temp Range (°C)	Tanδ @ 25°C (120Hz) (Max)	Leakage Current (uA) (2 min.)	Rated Ripple Current (mA rms) @ 105°C 120Hz	Rated Ripple Current (mA rms) @ 105°C 100kHz	ESR @25°C (mΩ max/ 120Hz)	Impedance @20°C (mΩ max/ 100kHz)	Endurance @ 105°C (Hours)	Dimensions (mm)					Appearance Drawing No
															DΦ	L	a	d	F1	
1	PF1H101MPN0812	/	100 μF	±20%	50 V	/	-40~+105	/	/	210	/	/	1090	2000	8	12	/	/	5	FIG-1
2	PF1V221MP50812	/	220 μF	±20%	35 V	/	-40~+105	/	/	270	/	/	/	2000	8	12	/	/	5	FIG-1

*Test leakage current before testing dissipation factor and capacitance during the electric characteristic test.

REMARKS:	APPROVED BY	CHECKED BY	PREPARED BY
Sleeve Color: Black.	张洪斌	曾爱娥	梁慧妍

Aluminum Electrolytic Capacitor

Customer		SERIES	PF	NO.:	PUBLISH DATE	2022-03-25
-----------------	--	---------------	-----------	-------------	---------------------	-------------------



Unit(mm):

P=12.7±1.0 H=18.5±0.5
 P0=12.7±0.2 W=18.0±0.5
 P1=3.85±0.5 W0=12.5MIN
 P2=6.35±1.0 ΦD0=4.0±0.2
 F=5.0+0.8/-0.2 t=0.7±0.2

Original

FIG-1

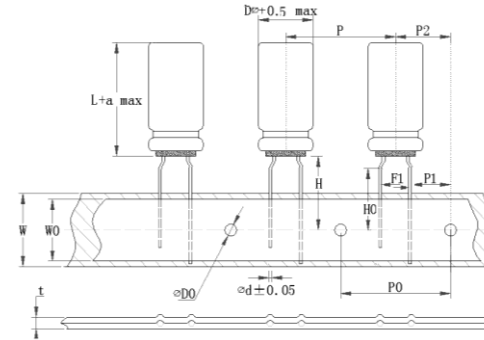
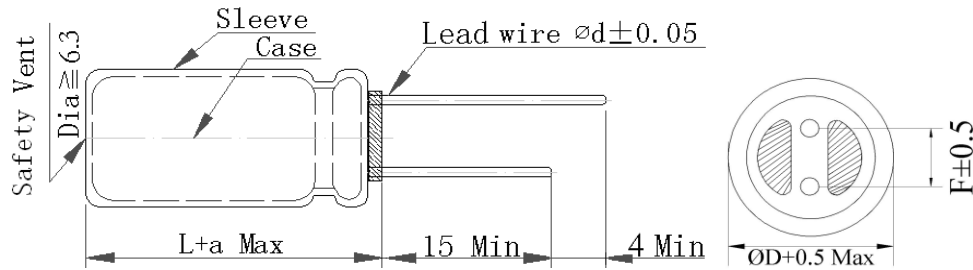
No.	CHINSAN Part No.	Customer Part No.	Capacitance (uF)	Tolerance On rated Capacitance (%)	Working Voltage (Vdc)	Surge Voltage (Vdc)	Category Temp Range (°C)	Tanδ @ 25°C (120Hz) (Max)	Leakage Current (uA) (2 min.)	Rated Ripple Current (mA rms) @ 105°C 120Hz	Rated Ripple Current (mA rms) @ 105°C 100kHz	ESR @25°C (mΩ max/ 120Hz)	Impedance @20°C (mΩ max/ 100kHz)	Endurance @ 105°C (Hours)	Dimensions (mm)					Appearance Drawing No
															DΦ	L	a	d	F	
1	PF2W4R7MP51011S	/	4.7 μF	±20%	450 V	/	-25~+105	/	/	34	/	/	/	2000	10	11	/	/	5	FIG-1
2	PF2W4R7MP51016R	/	4.7 μF	±20%	450 V	/	-25~+105	/	/	60	/	/	/	2000	10	16	/	/	5	FIG-1
3	PF2W6R8MP51020	/	6.8 μF	±20%	450 V	/	-25~+105	/	/	/	280	22000	26610	2000	10	20	/	/	5	FIG-1
4	PF1V471MP51016	/	470 μF	±20%	35 V	/	-55~+105	/	/	521	/	/	/	2000	10	16	/	/	5	FIG-1
5	PF1V102MP51020R	/	1000 μF	±20%	35 V	/	-40~+105	/	/	1049	/	/	120	2000	10	20	/	/	5	FIG-1

※Test leakage current before testing dissipation factor and capacitance during the electric characteristic test.

REMARKS:	APPROVED BY	CHECKED BY	PREPARED BY
Sleeve Color: Black.	张洪斌	曾爱娥	梁慧妍

Aluminum Electrolytic Capacitor

Customer		SERIES	PF	NO.:	PUBLISH DATE	2022-03-25
-----------------	--	---------------	-----------	-------------	---------------------	-------------------



Unit (mm):

P=12.7±1.0	H0=16.0±0.5
P0=12.7±0.2	W=18.0±0.5
P1=3.85±0.5	W0=12.5MIN
P2=6.35±1.0	ΦD0=4.0±0.2
F1=5.0+0.8/-0.2	t=0.7±0.2
H=18.5±0.5	

Original

FIG-1

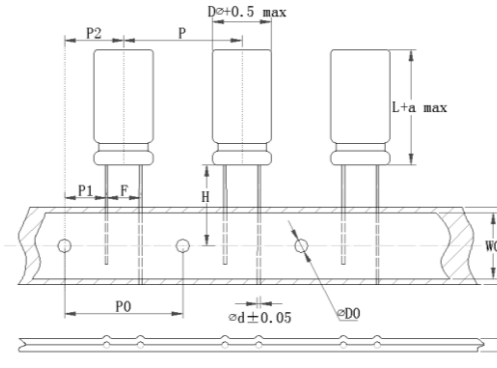
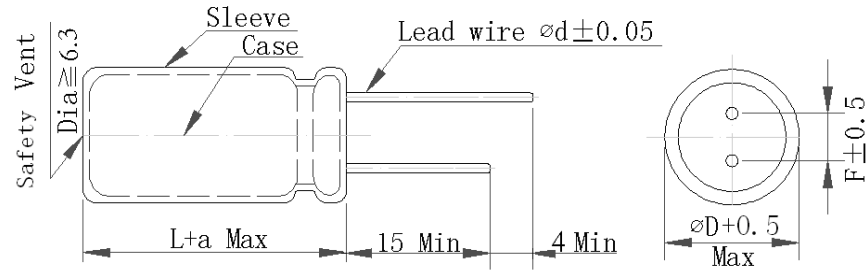
No.	CHINSAN Part No.	Customer Part No.	Capacitance (uF)	Tolerance On rated Capacitance (%)	Working Voltage (Vdc)	Surge Voltage (Vdc)	Category Temp Range (°C)	Tanδ @ 25°C (120Hz) (Max)	Leakage Current (uA) (2 min.)	Rated Ripple Current (mA rms) @ 105°C 120Hz	Rated Ripple Current (mA rms) @ 105°C 100kHz	ESR @25°C (mΩ max/ 120Hz)	Impedance @20°C (mΩ max/ 100kHz)	Endurance @ 105°C (Hours)	Dimensions (mm)					Appearance Drawing No
															DΦ	L	a	d	F1	
1	PF1E470MPN0511U	/	47 μF	±20%	25 V	/	-40~+105	/	/	90	/	/	3080	2000	5	11	/	/	5	FIG-1
2	PF1H100MPN0511U	/	10 μF	±20%	50 V	/	-40~+105	/	/	54	/	/	10860	2000	5	11	/	/	5	FIG-1
3	PF1H220MPN0511U	/	22 μF	±20%	50 V	/	-40~+105	/	/	83	/	/	4930	2000	5	11	/	/	5	FIG-1
4	PF1V470MPN0511U	/	47 μF	±20%	35 V	/	-40~+105	/	/	100	/	/	/	2000	5	11	/	/	5	FIG-1
5	PF1H2R2MPN0511U	/	2.2 μF	±20%	50 V	/	-40~+105	/	/	23	/	/	/	2000	5	11	/	/	5	FIG-1
6	PF1H4R7MPN0511U	/	4.7 μF	±20%	50 V	/	-40~+105	/	/	34	/	/	/	2000	5	11	/	/	5	FIG-1

※Test leakage current before testing dissipation factor and capacitance during the electric characteristic test.

REMARKS:	APPROVED BY	CHECKED BY	PREPARED BY
Sleeve Color: Black. Suffix U indicates convex rubber cover.	张洪斌	曾爱娥	梁慧妍

Aluminum Electrolytic Capacitor

Customer		SERIES	PF	NO.:	PUBLISH DATE	2022-03-25
-----------------	--	---------------	-----------	-------------	---------------------	-------------------



Unit(mm):
P=12.7±1.0 H=18.5±0.5
P0=12.7±0.2 W=18.0±0.5
P1=3.85±0.5 W0=12.5MIN
P2=6.35±1.0 ΦD0=4.0±0.2
F=5.0+0.8/-0.2 t=0.7±0.2

Original

FIG-1

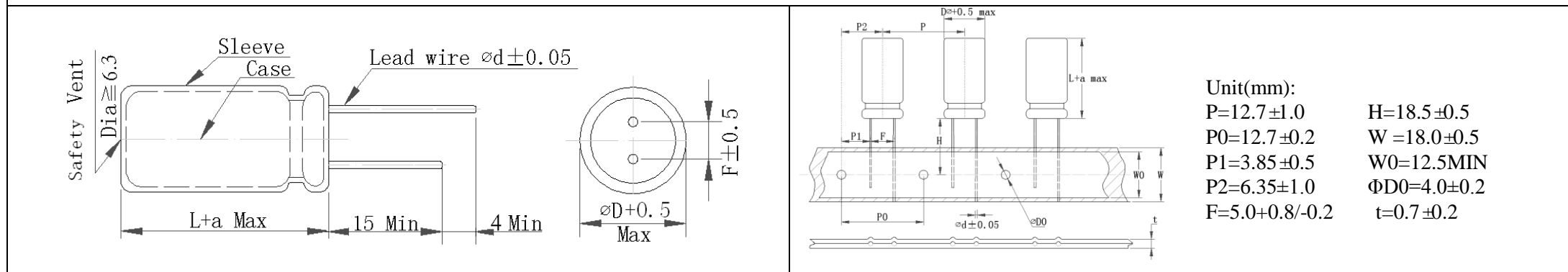
No.	CHINSAN Part No.	Customer Part No.	Capacitance (uF)	Tolerance On rated Capacitance (%)	Working Voltage (Vdc)	Surge Voltage (Vdc)	Category Temp Range (°C)	Tanδ @ 25°C (120Hz) (Max)	Leakage Current (uA) (2 min.)	Rated Ripple Current (mA rms) @ 105°C 120Hz	Rated Ripple Current (mA rms) @ 105°C 100kHz	ESR @25°C (mΩ max/ 120Hz)	Impedance @20°C (mΩ max/ 100kHz)	Endurance @ 105°C (Hours)	Dimensions (mm)					Appearance Drawing No
															DΦ	L	a	d	F1	
1	PF1E221MPN0812P	/	220 μF	±20%	25 V	/	-40~+105	/	/	250	/	/	/	2000	8	12	/	/	5	FIG-1

※Test leakage current before testing dissipation factor and capacitance during the electric characteristic test.

REMARKS:	APPROVED BY	CHECKED BY	PREPARED BY
Sleeve Color: Black.	张洪斌	曾爱娥	梁慧妍

Aluminum Electrolytic Capacitor

Customer		SERIES	PF	NO.:	PUBLISH DATE	2022-03-25
-----------------	--	---------------	-----------	-------------	---------------------	-------------------



Original **FIG-1**

No.	CHINSAN Part No.	Customer Part No.	Capacitance (uF)	Tolerance On rated Capacitance (%)	Working Voltage (Vdc)	Surge Voltage (Vdc)	Category Temp Range (°C)	Tanδ @ 25°C (120Hz) (Max)	Leakage Current (uA) (2 min.)	Rated Ripple Current (mA rms) @ 105°C 120Hz	Rated Ripple Current (mA rms) @ 105°C 100kHz	ESR @25°C (mΩ max/ 120Hz)	Impedance @20°C (mΩ max/ 100kHz)	Endurance @ 105°C (Hours)	Dimensions (mm)					Appearance Drawing No
															DΦ	L	a	d	F	
1	PF0J102MPN1009	/	1000 μF	±20%	6.3 V	/	-40~+105	/	/	400	/	/	/	2000	10	9	/	/	5	FIG-1
2	PF1V331MPN1012	/	330 μF	±20%	35 V	/	-40~+105	/	/	100	/	/	/	2000	10	12	/	/	5	FIG-1
3	PF1E471MPN1012	/	470 μF	±20%	25 V	/	-40~+105	/	/	380	/	/	/	2000	10	12	/	/	5	FIG-1
4	PF1V221MPN1012	/	220 μF	±20%	35 V	/	-40~+105	/	/	320	/	/	/	2000	10	12	/	/	5	FIG-1
5	PF2U100MPN1013P	/	10 μF	±20%	300 V	/	-25~+105	/	/	110	/	/	/	2000	10	13	/	/	5	FIG-1
6	PF1E102MPN1020R	/	1000 μF	±20%	25 V	/	-40~+105	/	/	960	/	/	/	2000	10	20	/	/	5	FIG-1
7	PF0J222MPN1020	/	2200 μF	±20%	6.3 V	/	-40~+105	/	/	830	/	/	/	2000	10	20	/	/	5	FIG-1

*Test leakage current before testing dissipation factor and capacitance during the electric characteristic test.

REMARKS:	APPROVED BY	CHECKED BY	PREPARED BY
Sleeve Color: Black.	张洪斌	曾爱娥	梁慧妍

Aluminum Electrolytic Capacitor

Customer	SERIES	PF	NO.:	PUBLISH DATE	2022-03-25
----------	--------	----	------	--------------	------------

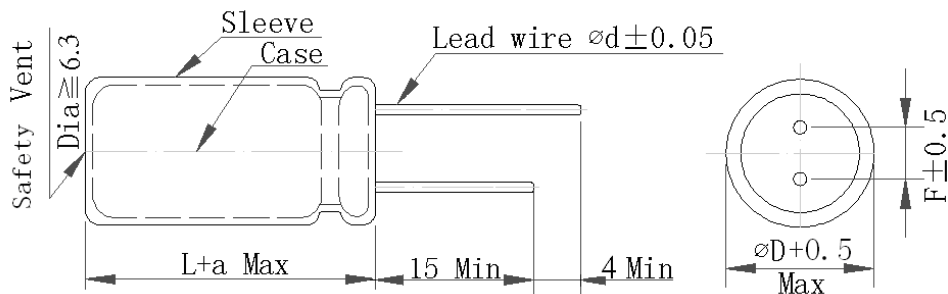


FIG-1

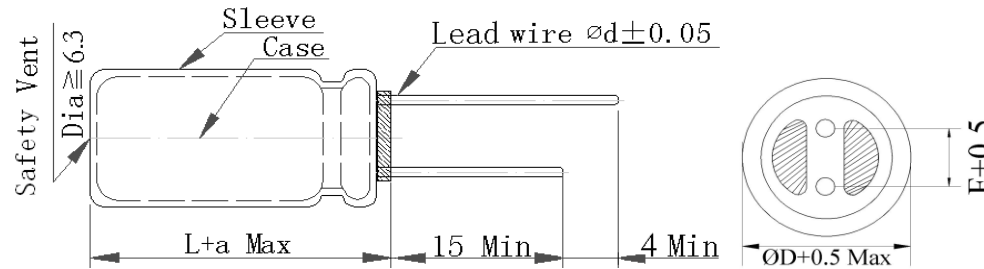


FIG-2

No.	CHINSAN Part No.	Customer Part No.	Capacitance (uF)	Tolerance On rated Capacitance (%)	Working Voltage (Vdc)	Surge Voltage (Vdc)	Category Temp Range (°C)	Tanδ @ 25°C (120Hz) (Max)	Leakage Current (uA) (2 min.)	Rated Ripple Current (mA rms) @ 105°C 120Hz	Rated Ripple Current (mA rms) @ 105°C 100kHz	ESR @ 25°C (mΩ max/ 120Hz)	Impedance @ 20°C (mΩ max/ 100kHz)	Endurance @ 105°C (Hours)	Dimensions (mm)					Appearance Drawing No
															DΦ	L	a	d	F	
1	PF2D100MNN1012R	/	10 μF	±20%	200 V	/	-25~+105	/	/	95	/	/	/	2000	10	12	/	/	5	FIG-1
2	PF1C101MNN0511U	/	100 μF	±20%	16 V	/	-40~+105	/	/	100	/	/	/	2000	5	11	/	/	2	FIG-2
3	PF1C222MNN1020	/	2200 μF	±20%	16 V	/	-40~+105	/	/	1050	/	/	/	2000	10	20	/	/	5	FIG-1
4	PF1H220MNN0511	/	22 μF	±20%	50 V	/	-40~+105	/	/	83	/	/	/	2000	5	11	/	/	2	FIG-1
5	PF1H220MNN0511U	/	22 μF	±20%	50 V	/	-40~+105	/	/	83	/	/	/	2000	5	11	/	/	2	FIG-2
6	PF1H332MNN1832	/	3300 μF	±20%	50 V	/	-40~+105	/	/	1456	/	/	/	2000	18	32	/	/	7.5	FIG-1
7	PF1HR47MNN0511U	/	0.47 μF	±20%	50 V	/	-40~+105	/	/	11	/	/	100000	2000	5	11	/	/	2	FIG-2
8	PF1J222MNN1832	/	2200 μF	±20%	63 V	/	-40~+105	/	/	1600	/	/	/	2000	18	32	/	/	7.5	FIG-1
9	PF1V470MNN6311U	/	47 μF	±20%	35 V	/	-40~+105	/	/	115	/	/	3000	2000	6.3	11	/	/	2.5	FIG-2
10	PF2A101MNN0825	/	100 μF	±20%	100 V	/	-40~+105	/	/	250	/	/	/	2000	8	25	/	/	3.5	FIG-1
11	PF2A102MNN1836	/	1000 μF	±20%	100 V	/	-40~+105	/	/	1300	/	/	60	2000	18	36	/	/	7.5	FIG-1



Taiwan Chinsan Electronic Ind., Co., Ltd.

Address: No.1, Alley 11, Lane 68, Sec.1, KwangFu Rd., SanChung Dist., New Taipei City 24158, Taiwan

TEL: +886 2 2995 0535 <http://www.chinsan.com/products/>

12	PF2W100MNN1020	/	10 μ F	\pm 20%	450 V	/	-25~+105	/	/	85	/	/	/	2000	10	20	/	/	5	FIG-1
13	PF2W6R8MNN1013	/	6.8 μ F	\pm 20%	450 V	/	-25~+105	/	/	48	/	/	/	2000	10	13	/	/	5	FIG-1
14	PF1V471MNN1012	/	470 μ F	\pm 20%	35 V	/	-40~+105	/	/	440	/	/	/	2000	10	12	/	/	5	FIG-1
15	PF2W100MNN1020	/	10 μ F	\pm 20%	450 V	/	-25~+105	/	/	85	/	/	/	2000	10	20	/	/	5	FIG-1
16	PF1J100MNN0511U	/	10 μ F	\pm 20%	63 V	/	-40~+105	/	/	50	/	/	/	2000	5	11	/	/	2	FIG-2

※Test leakage current before testing dissipation factor and capacitance during the electric characteristic test.

REMARKS:	APPROVED BY	CHECKED BY	PREPARED BY
Sleeve Color: Black. Suffix U indicates convex rubber cover.	张洪斌	曾爱娥	梁慧妍