

1 2 3 4 5 6

A

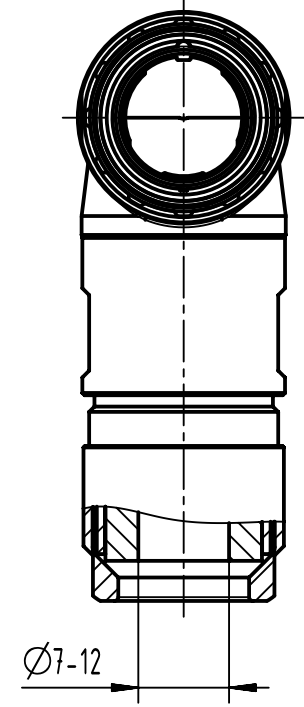
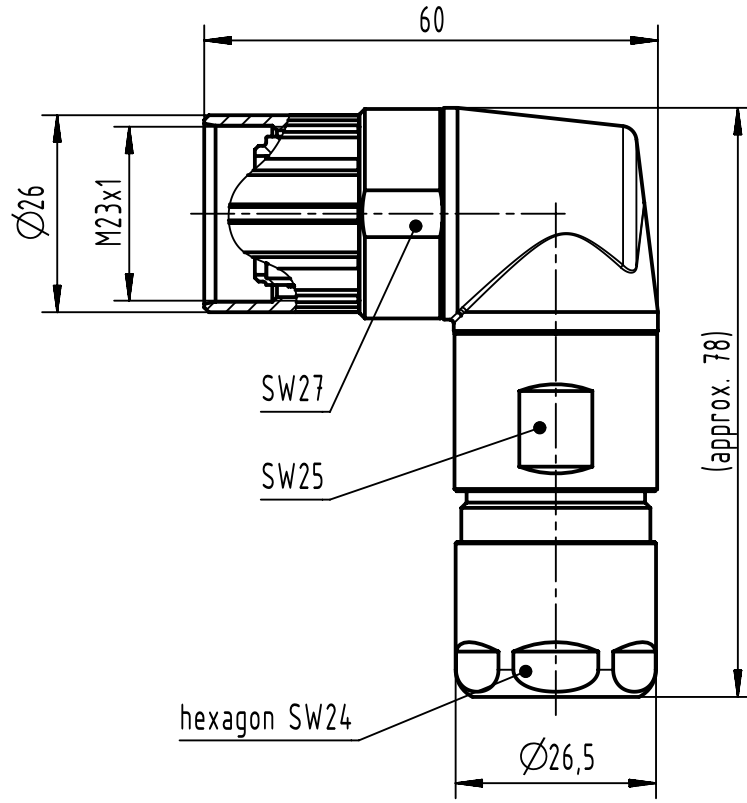
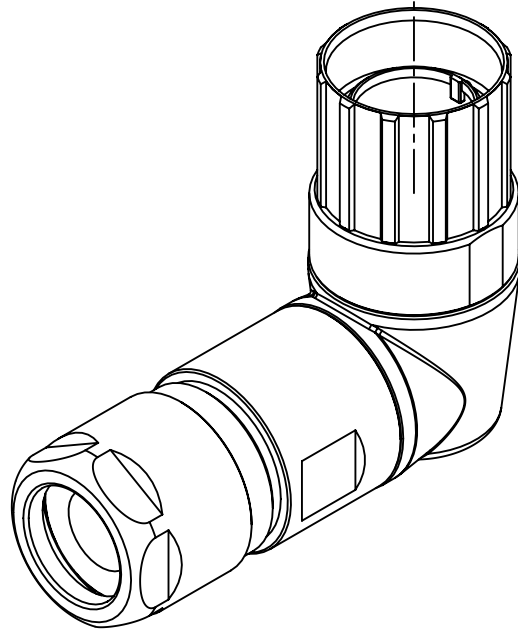
B


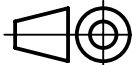
C

D

Distance sleeve - Female

Distance sleeve - Male



	All rights reserved Department EL PD	Created by WULF		Inspected by 103966		Standardisation SAP_WFRT		Date 2022-06-24		State Final Release	
		Title M23 Hood angled 7 - 12mm rotatable						Doc-Key / ECM-Nr. 100707826/UGD/001/C 500000219670		Rev. C	
HARTING D-32339 Espelkamp		Type TB		Number 09 15 100 0603							
 All Dimensions in mm Original Size DIN A4		Scale 1:1		Free size tol.				Ref. Sub.			