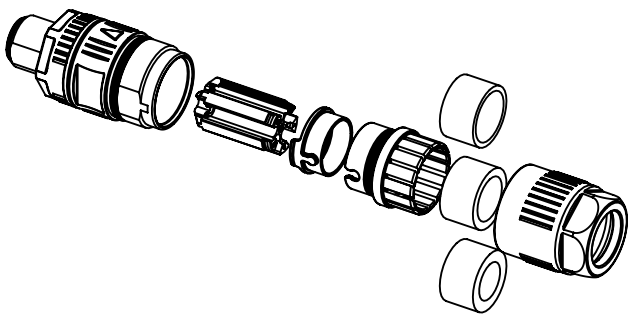


order contacts separately

cable Ø	wire gauge	part number	
		4 x male contact	1 x female contact (PE)
6.6 - 11.6mm	2.5mm ² / AWG14	21 01 100 9938	21 01 100 9940
	1.5mm ² / AWG16	21 01 100 9937	21 01 100 9939
	0.75mm ² / AWG19	21 01 100 9963	21 01 100 9965
	0.5mm ² / AWG20	21 01 100 9962	21 01 100 9964



	All rights reserved Department EL PD	All Dimensions in mm Original Size DIN A4		Scale 1:1	Free size tol.	Ref. Sub.
		HARTING D-32339 Espelkamp	Created by HASSE	Inspected by FRIESENH	Standardisation	Date 2023-05-11
Title M12-P-CC-CRIMP-5P-KCOD-M-STR-SHLD					Doc-Key / ECM-Nr. 100765365/UGD/001/D 500000243633	
Type TB			Number 21038961515		Rev. D	Page 1/1