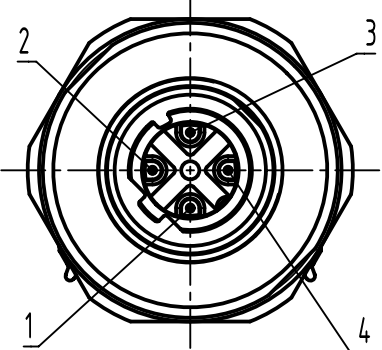


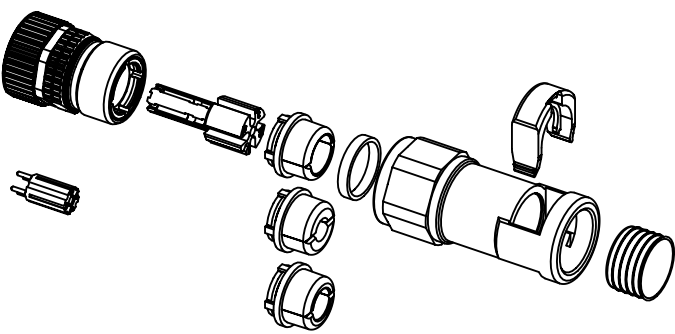
contact face based on  
IEC 61076-2-101

A (2:1)



1 suitable for conduit with NW 10mm  
order contacts separately

cable $\varnothing$			wire gauge	part no.
5.5-7.2mm	4.5-5.4mm	7.0-8.8mm		
sealing			AWG 26-22	09 67 000 5476
black	transparent	beige	AWG 24-20	09 67 000 8476
			AWG 22-18	09 67 000 3476



assembly aid enclosed

	All Dimensions in mm Original Size DIN A4	Scale 1:1	Free size tol.	Ref.
	All rights reserved Department EL PD	Created by BUSSMANN	Inspected by HASSEBROCKS	Standardisation
HARTING D-32339 Espelkamp		Title M12-L-CC-CRIMP-4P-DCOD-F-STR-SHLD		Date 2023-04-24
		Type TB	Number 21038822411	State Final Release
				Doc-Key / ECM-Nr. 100593887/UGD/003/D 500000241856
				Rev. D Page 1/1