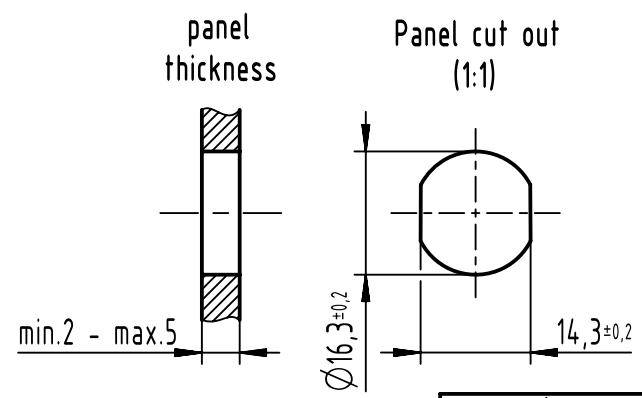
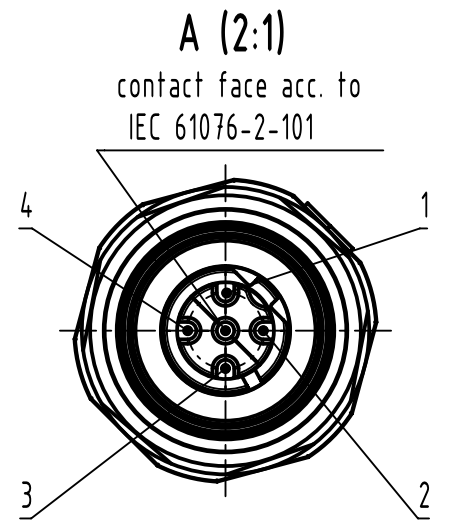
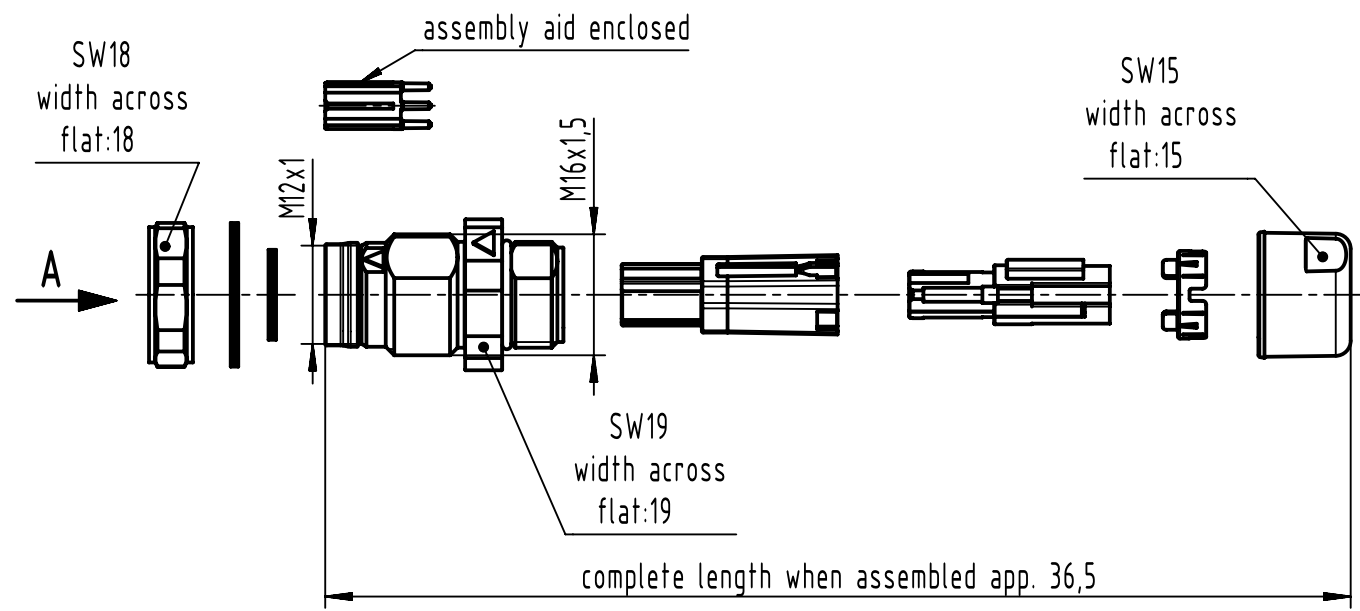


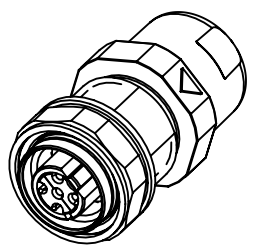
1 2 3 4 5 6

A  
B  
C  
D



recommended torque of counter nut: 2Nm  
order contacts separately

wire gauge	part-no contact
AWG 22-18	09 67 000 3476
AWG 24-20	09 67 000 8476
AWG 26-22	09 67 000 5476



All Dimensions in mm Original Size DIN A4		Scale 1:1		Free size tol.		Ref.	
All rights reserved Department EL PD		Created by BALSAN	Inspected by FARCASIU	Standardisation ROEBEN	Date 2021-09-13	State Final Release	
HARTING		Title M12 PFT SD female D-coded 4-pole for crimp flange				Doc-Key / ECM-Nr. 100774536/UGD/001/D 500000202436	
D-32339 Espelkamp		Type TB	Number 21038812427			Rev. D	Page 1/1