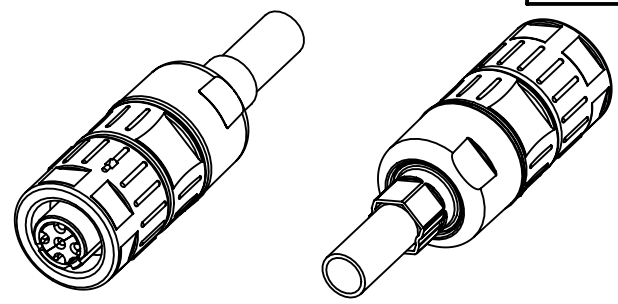


order contacts separately

Cable description	Cable diameter	Wire gauge	P/N contact	P/N Crimping insert	P/N Crimping Tool	P/N Mounting tool
RSCC TD-010301 2PR 24 AWG 7/32 Cat 5e 100 Ohms Stranded	6,0mm	AWG 26-22 AWG 24-20	09 67 000 5476 09 67 000 8476	0999 000 0648	0999 000 0647	0999 000 0639



	All Dimensions in mm Original Size DIN A4	Scale 1:1	Free size tol.		Ref.
	All rights reserved Department EL PD	Created by BALSAN	Inspected by FARCASIU	Standardisation ROEBEN	Sub.
HARTING D-32339 Espelkamp	Title M12 SD D-cod 4-pol Crimp Flange female				Date 2021-09-13 State Final Release
	Type TB Number 21038812413				Doc-Key / ECM-Nr. 100800780/UGD/002/E 500000202435 Rev. E Page 1/1