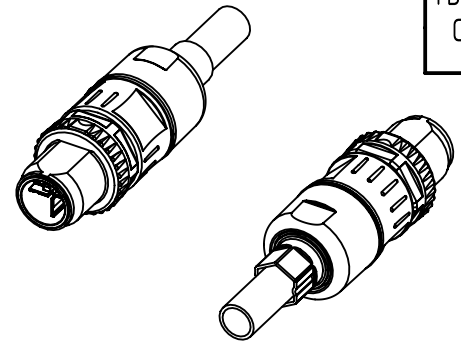


order contacts separately

Cable description	Cable diameter	Wire gauge	P/N contact	P/N Crimping insert	P/N Crimping Tool	P/N Mounting tool
RSCC TD-010301 2PR 24 AWG 7/32 Cat 5e 100 Ohms Stranded	6,0mm	AWG 26-23 AWG 28-24	21 01 100 9019 21 01 100 9014	0999 000 0648	0999 000 0647	0999 000 0639



	All Dimensions in mm Original Size DIN A4	Scale 1:1	Free size tol.		Ref.	
	All rights reserved Department EL PD	Created by BALSAN	Inspected by FARCASIU	Standardisation 302077	Date 2020-10-16	State Final Release
HARTING Electronics GmbH D-32339 Espelkamp		Title M12 SD X-cod 8-pol Crimp Flange male			Doc-Key / ECM-Nr. 100809826/UGD/000/D 500000179711	
		Type TB	Number 21038811813		Rev. D	Page 1/1