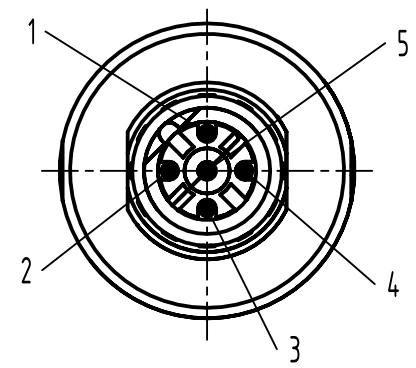


contact face based on
IEC 61076-2-101

A (2:1)



order contacts separately

cable ϕ	wire gauge	part no.
4.5 - 8.8mm	AWG 26-22	09670005576
	AWG 24-20	09670008576
	AWG 22-18	09670003576

	All rights reserved Department EL PD	All Dimensions in mm Original Size DIN A4		Scale 1:1	Free size tol.	Ref. Sub.
		HARTING D-32339 Espelkamp	Created by BUSSMANN	Inspected by 104.122	Standardisation	Date 2022-09-07
Title M12-L-CC-CRIMP-5P-BCOD-M-STR-SHLD					Doc-Key / ECM-Nr. 100230989/UGD/002/L 500000224613	
Type TB			Number 21038411505		Rev. L	Page 1/1