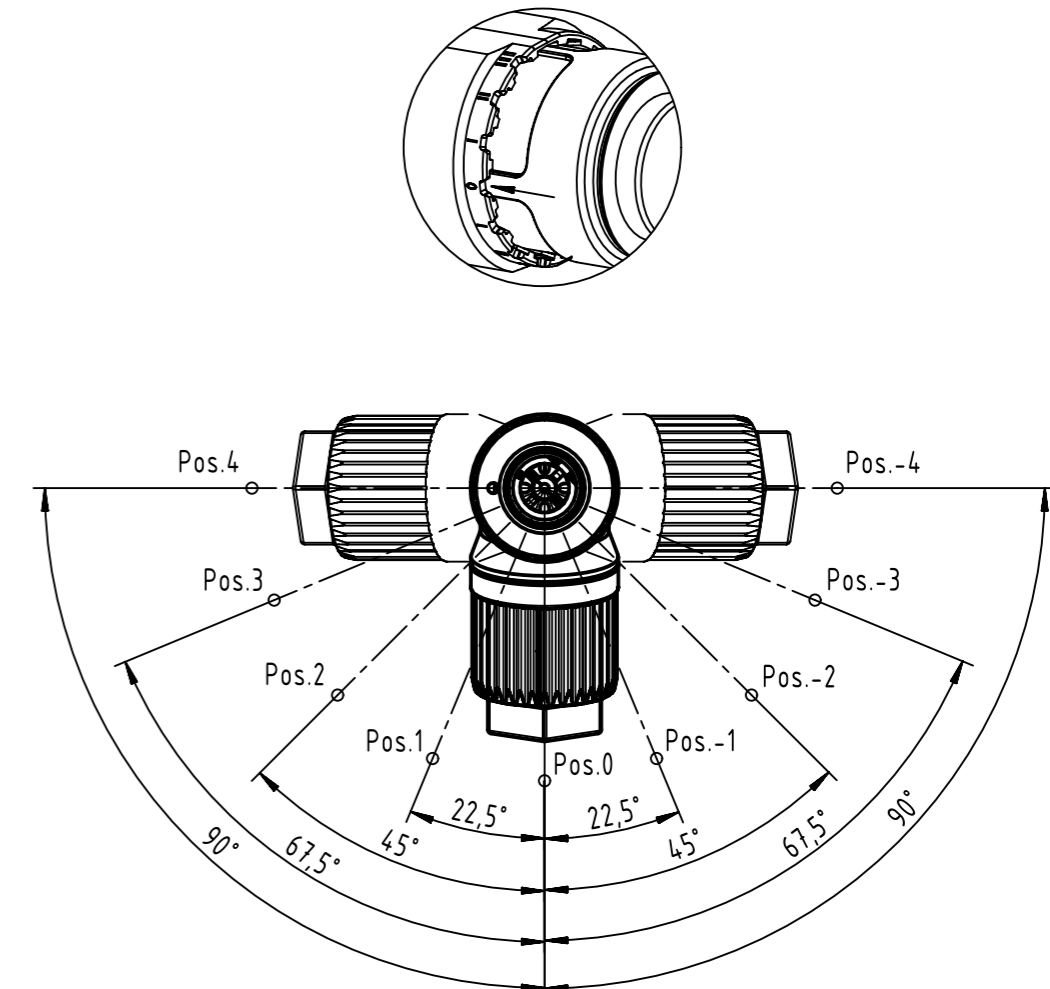


Positions of cable direction

exemplary: Position 0



order contacts separately

cable Ø	wire gauge		part-no.
4.5-8.8mm	0.25-0.50mm <sup>2</sup>	AWG 24-20	09 67 000 8576
	0.14-0.34mm <sup>2</sup>	AWG 26-22	09 67 000 5576
	0.34-0.75mm <sup>2</sup>	AWG 22-18	09 67 000 3576

All rights reserved Department EL PD		All Dimensions in mm Original Size DIN A3	Scale 1:1 Free size tol.	Ref. Sub.
HARTING D-32339 Espelkamp	Created by 105120 Inspected by HASSEBROCKS	Standardisation	Date 2023-08-01 State Final Release	Doc-Key / ECM-Nr. 100232639/UGD/004/M 500000250867
Title HARTING M12 crimp angled male A-coded 5-pole			Type TB	Number 21038223505
			Rev. M	Page 1/1