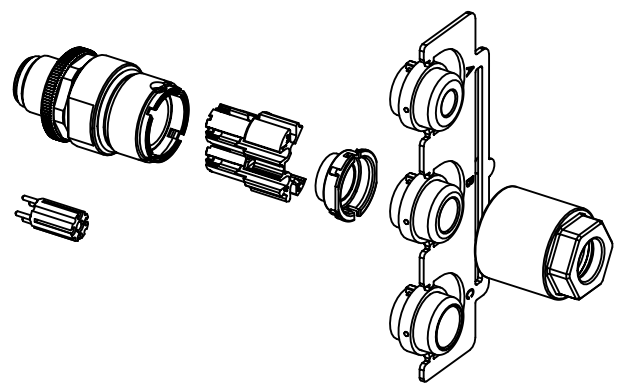


assembly aid enclosed

order contacts separately

cable ϕ	wire gauge	part-no.
4,5-8,8mm	AWG 24-20	09 67 000 8576
	AWG 26-22	09 67 000 5576
	AWG 22-18	09 67 000 3576

shielding resistance $\leq 1,5$ Ohm
 material metal parts: stainless steel
 (EN 10088-3/ 1.4404/ X2CrNiMo17-12-2)



	All Dimensions in mm Original Size DIN A4	Scale 1:1	Free size tol.		Ref. Sub.	
	All rights reserved Department EL PD	Created by DYCKC	Inspected by EISFELD	Standardisation 302077	Date 2020-10-22	State Final Release
HARTING Electronics GmbH D-32339 Espelkamp		Title HARTING M12-L crimp male A-coded 5-pole			Doc-Key / ECM-Nr. 100569994/UGD/004/H 500000179215	
		Type TB	Number 21038221535		Rev. H	Page 1/1