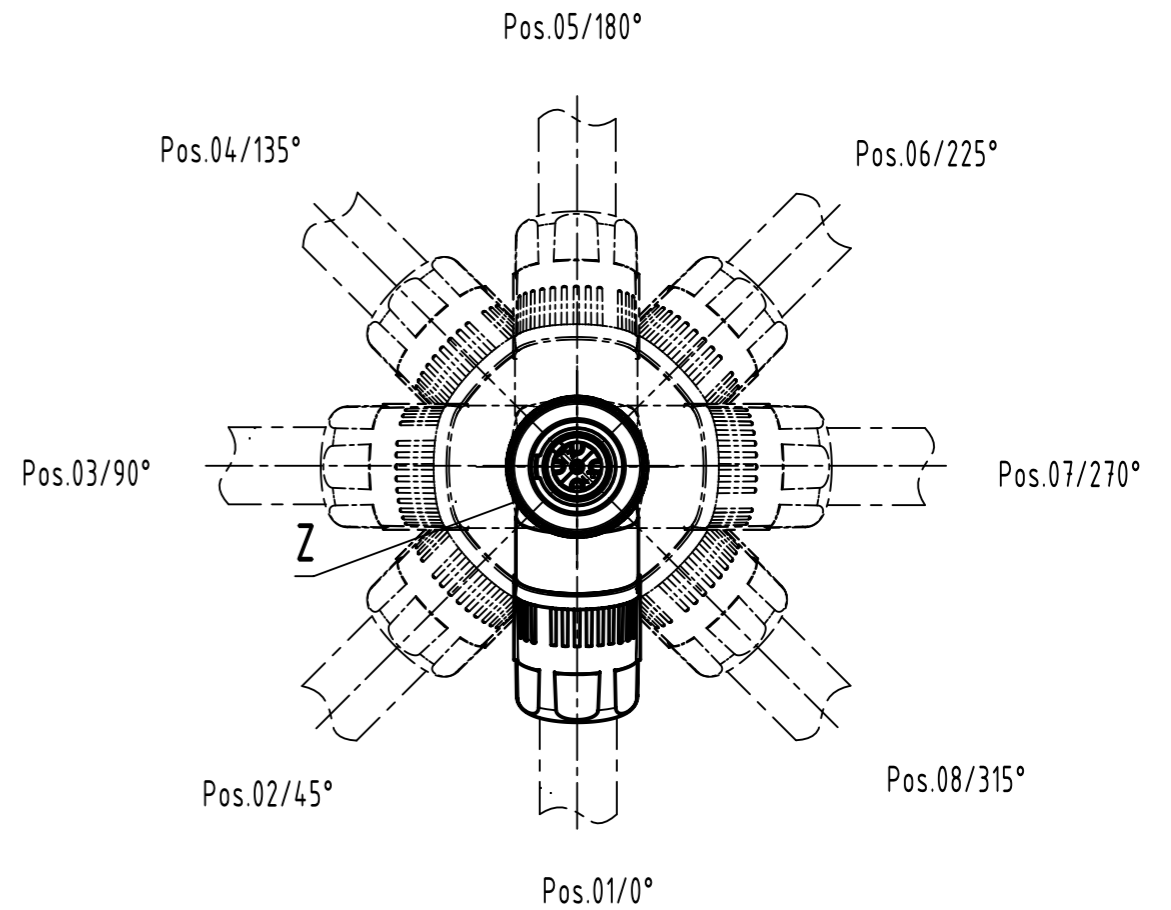
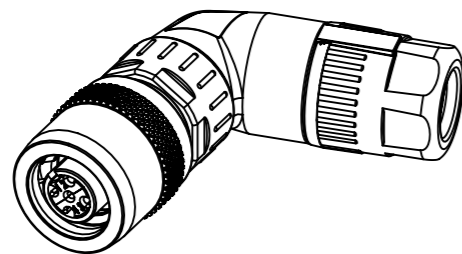
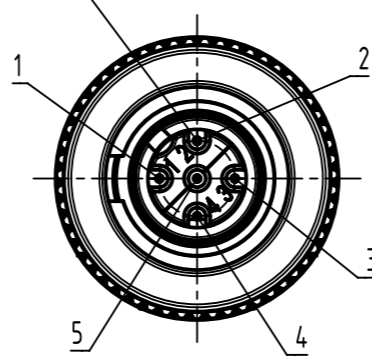


Z (2:1)
contact face acc. to
IEC 61076-2-101



order contacts separately

cable Ø	wire gauge	contact part-no.
5,7-8,8mm	AWG 26-22	09 67 000 5476
	AWG 24-20	09 67 000 8476
	AWG 22-18	09 67 000 3476

	All rights reserved	Created by 406403	Inspected by FARCASIU	Standardisation ROEBEN	Date 2022-11-16	State Final Release	Ref. Sub.
	Department EL PD	Title M12-PP-CC-CRIMP-5P-ACOD-F-ANG-SHLD				Doc-Key / ECM-Nr. 100684244/UGD/002/J 50000227840	
HARTING D-32339 Espelkamp		Type TB	Number 21038214530		Rev. J	Page 1/1	