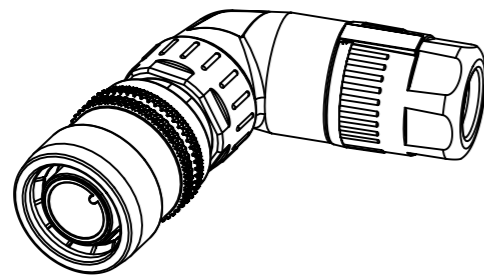
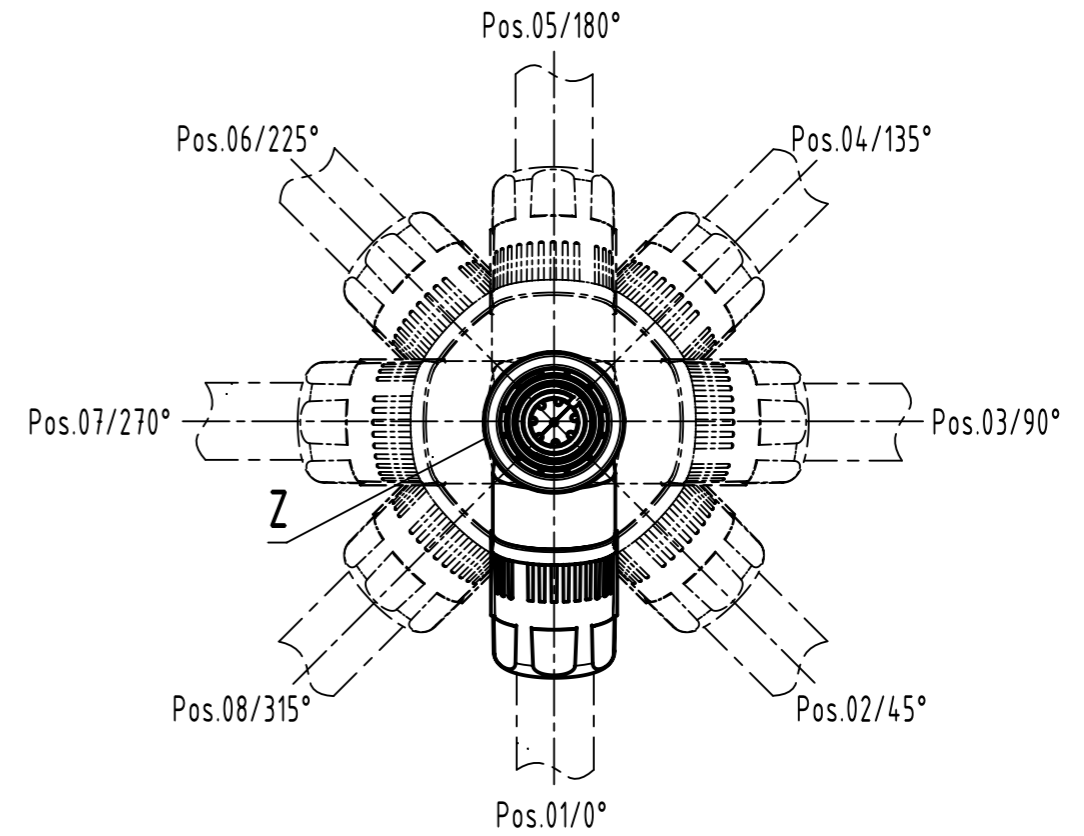
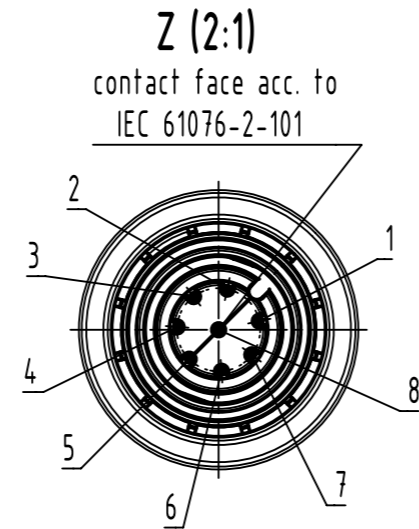


PushPull acc. to IEC 61076-2-010



assembly aid enclosed

SW16 width across flats: 16



order contacts separately

cable Ø	wire gauge	contact part-no.
5,7-8,8mm	AWG 26-23	21 01 100 9020

	All rights reserved Department EL PD	All Dimensions in mm Original Size DIN A3	Scale 1:1	Free size tol.	Ref.
		Created by SERBANA	Inspected by FARCASIU	Standardisation RUETERA	Date 2023-07-07
HARTING D-32339 Espelkamp		Title M12-PP-CC-CRIMP-8P-ACOD-M-ANG-SHLD			Doc-Key / ECM-Nr. 100684487/UGD/002/H 50000227072
		Type TB	Number 21038213830		Rev. H Page 1/1