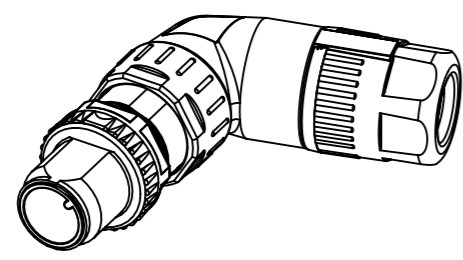
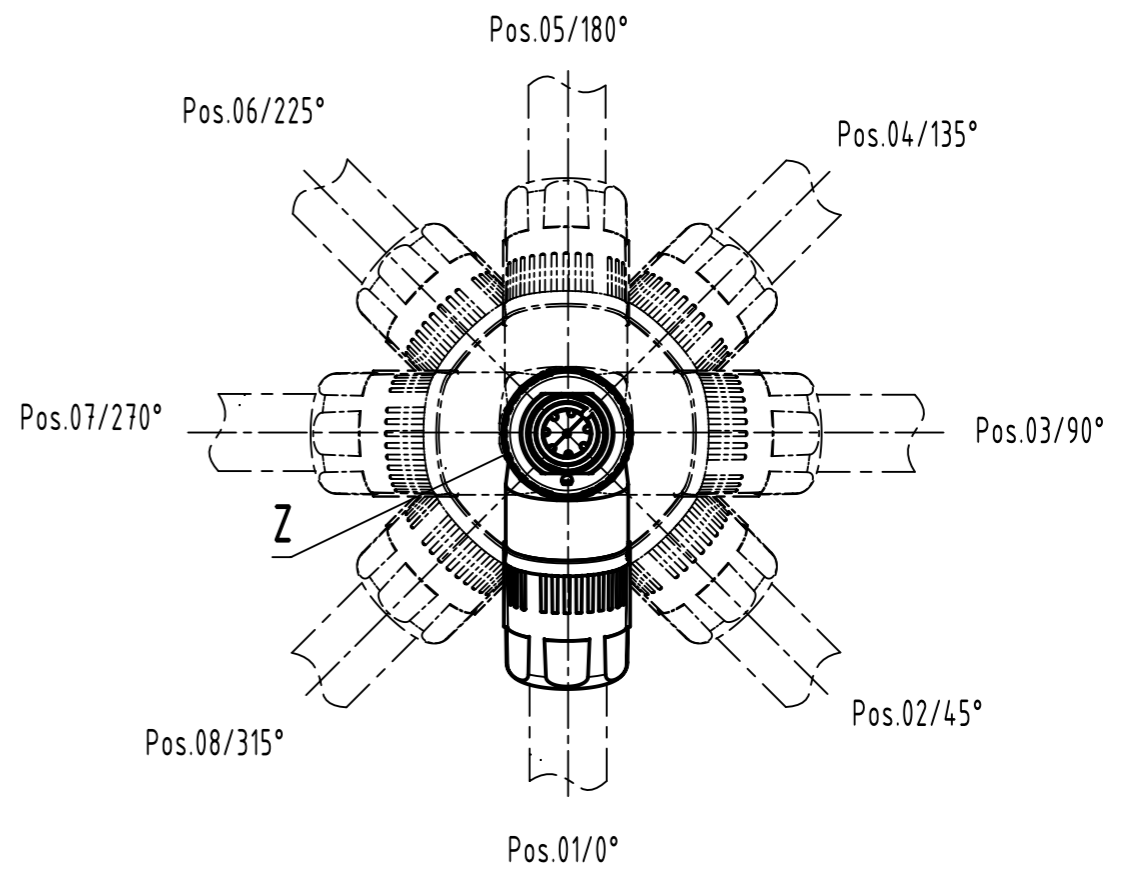
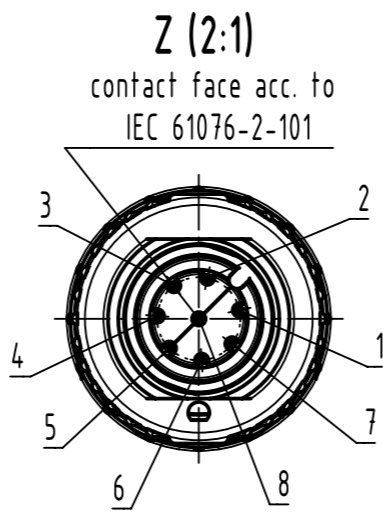

 assembly aid enclosed



order contacts separately

cable Ø	wire gauge	contact part-no.
5,7-8,8mm	AWG 26-23	21 01 100 9020

	All rights reserved	Created by 406403	Inspected by FARCASIU	Standardisation ROEBEN	Date 2022-11-21	State Final Release
	Department EL PD	Title M12-SD-CC-CRIMP-8P-ACOD-M-ANG-SHLD				Doc-Key / ECM-Nr. 100591026/UGD/002/K 50000226139
HARTING D-32339 Espelkamp		Type TB	Number 21038213805		Rev. K	Page 1/1