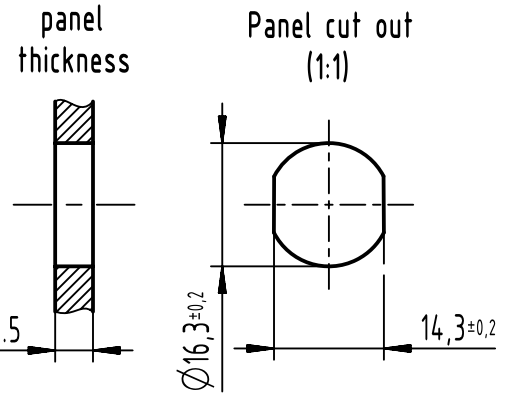
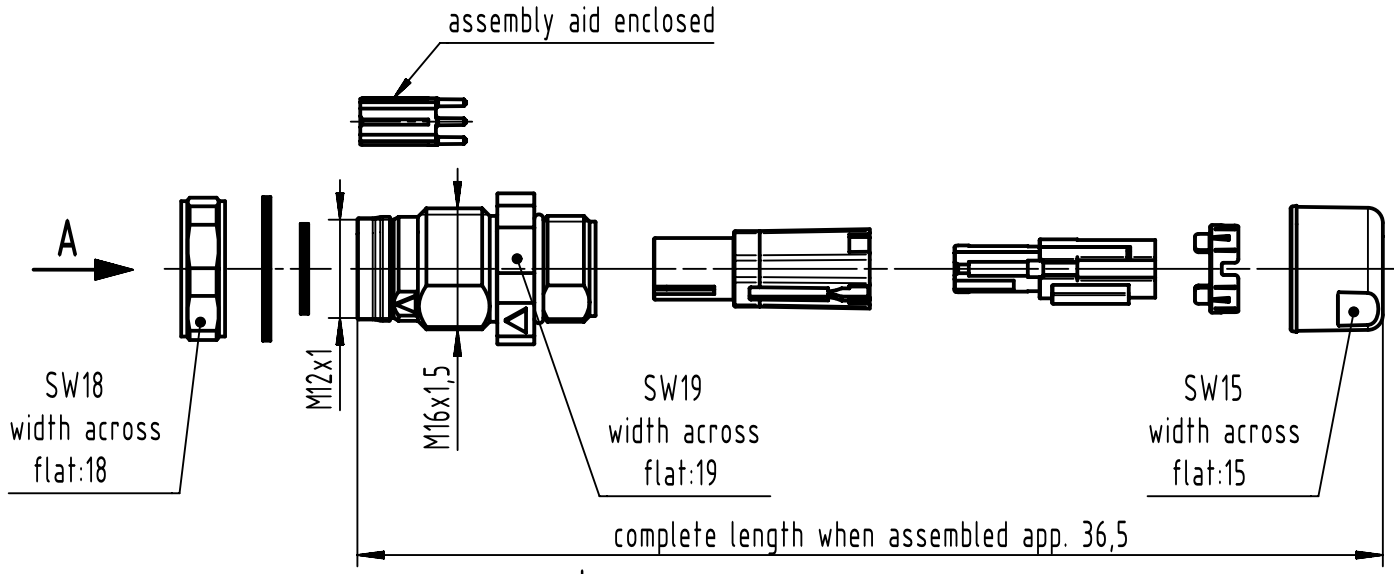
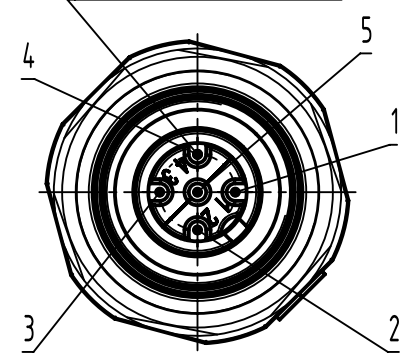


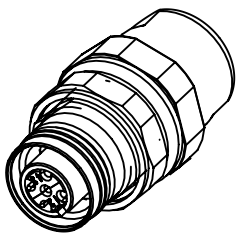
A (2:1)

contact face acc. to IEC 61076-2-101



recommended torque of counter nut: 2Nm
order contacts separately

wire gauge	part-no contact
AWG 22-18	09 67 000 3476
AWG 24-20	09 67 000 8476
AWG 26-22	09 67 000 5476



All Dimensions in mm Original Size DIN A4		Scale 1:1	Free size tol.		Ref. Sub.
All rights reserved Department EL PD	Created by BALSAN	Inspected by FARCASIU	Standardisation ROEBEN	Date 2021-09-13	State Final Release
	Title M12 PFT SD female A-coded 4/5-pole for crimp flange				Doc-Key / ECM-Nr. 100774372/UGD/001/C 500000201075
HARTING D-32339 Espelkamp		Type TB	Number 21038212527		Rev. C Page 1/1