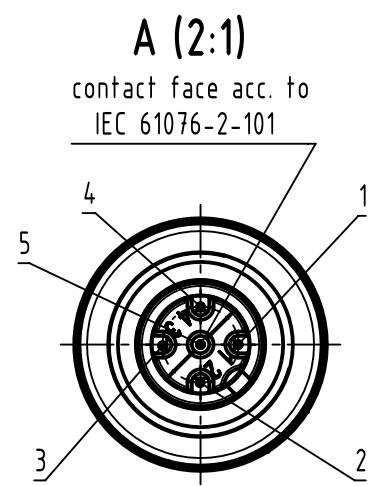
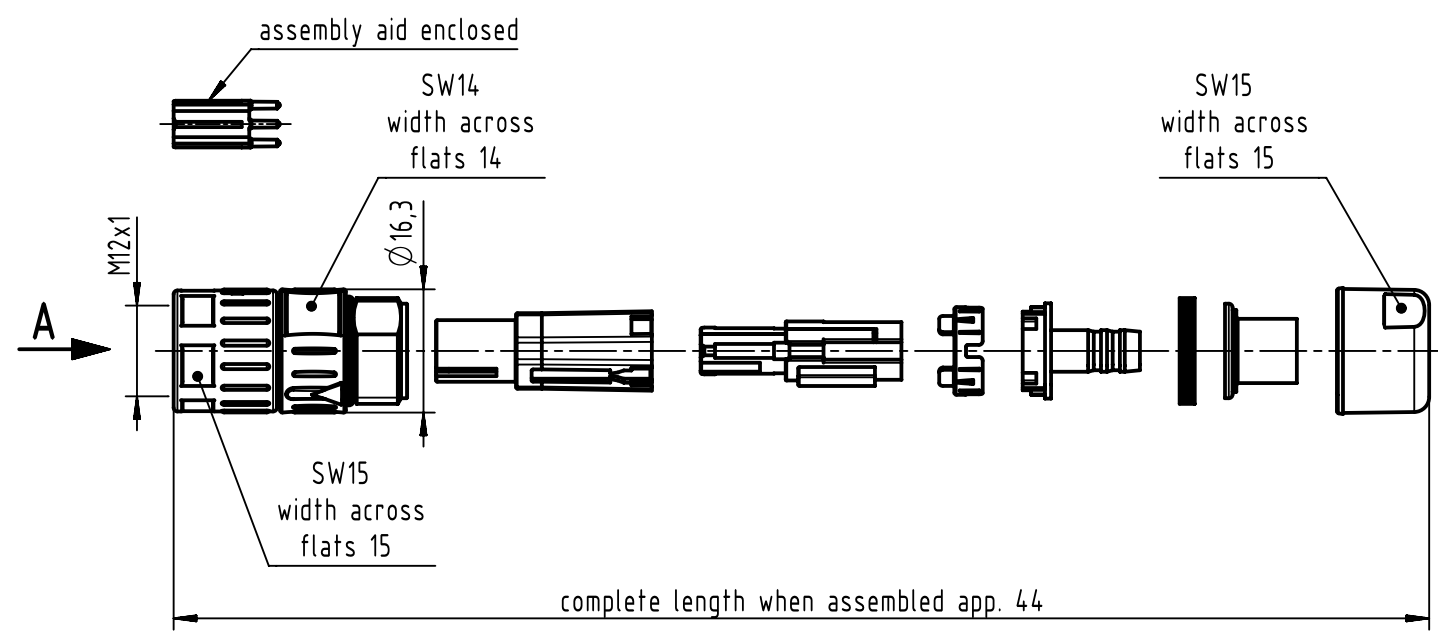


A

B

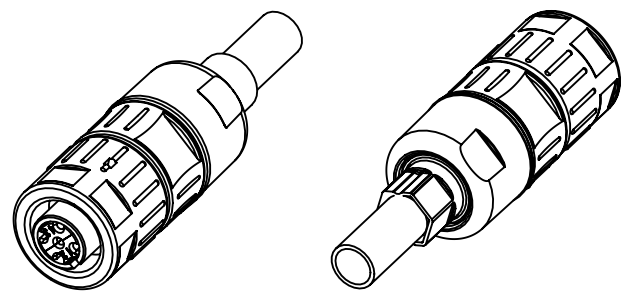
C

D



order contacts separately

Cable description	Cable diameter	Wire gauge	P/N contact	P/N Crimping insert	P/N Crimping Tool	P/N Mounting tool
BETATRANS GWK C-FLEX R 600/1000V 4x0.75 sqmm Leoni: 223388	6,0mm	AWG 22-18	09 67 000 3476	0999 000 0649	0999 000 0647	0999 000 0639



	All rights reserved Department EL PD	All Dimensions in mm Original Size DIN A4	Scale 1:1	Free size tol.	Ref. Sub.	
	HARTING D-32339 Espelkamp	Created by BALSAN	Inspected by FARCASIU	Standardisation ROEBEN	Date 2021-09-13	State Final Release
Title M12 SD A-cod 5-pol Crimp Flange female					Doc-Key / ECM-Nr. 100699015/UGD/000/F 500000195613	
Type TB			Number 21038212512		Rev. F	Page 1/1