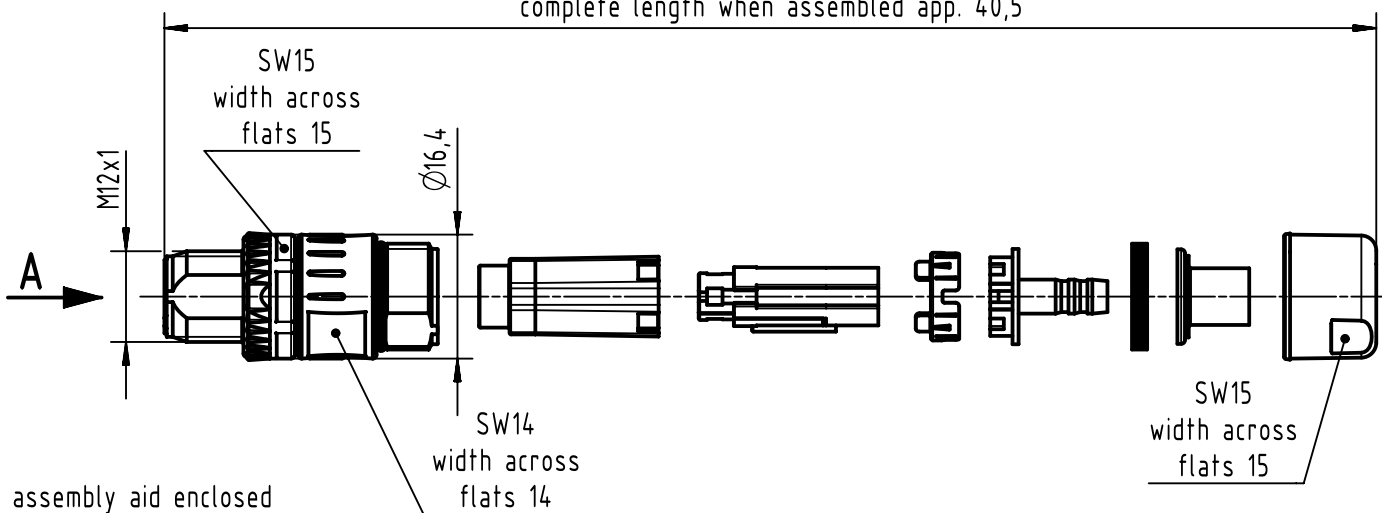
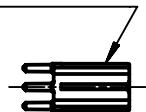


complete length when assembled app. 40,5

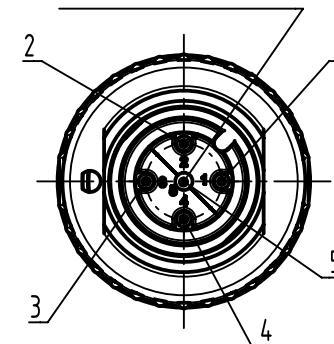


assembly aid enclosed



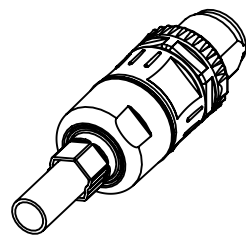
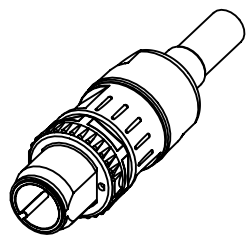
A (2:1)

contact face acc. to IEC 61076-2-101



order contacts separately

| Cable description | Cable diameter | Wire gauge | P/N contact | P/N Crimping insert | P/N Crimping Tool | P/N Mounting tool |
|---|----------------|------------|----------------|---------------------|-------------------|-------------------|
| BETATRANS GWK-ENX C-FLEX EN 50306-4 3P 300V 2x0,75mm ² Leoni: 314709 | 5,4mm | AWG 22-18 | 09 67 000 3576 | 09 99 000 0667 | 0999 000 0647 | 0999 000 0639 |
| BETATRANS GWK C-FLEX R 600/1000V 2x0,75mm ² Leoni: 223386 | 5,3mm | AWG 22-18 | 09 67 000 3576 | 0999 000 0652 | 0999 000 0647 | 0999 000 0639 |



All Dimensions in mm
Original Size DIN A4

Scale
1:1

Free size tol.

Ref.

Sub.



All rights reserved

Department EL PD

Created by
BALSAN

Inspected by
FARCASIU

Standardisation
302077

Date
2021-04-27

State
Final Release

Title
M12 SD A-cod 5-pol Crimp Flange male

Doc-Key / ECM-Nr.
100698857/UGD/001/G
500000193802

HARTING
D-32339 Espelkamp

Type
TB

Number
21038211511

Rev.
G

Page
1/1