

A

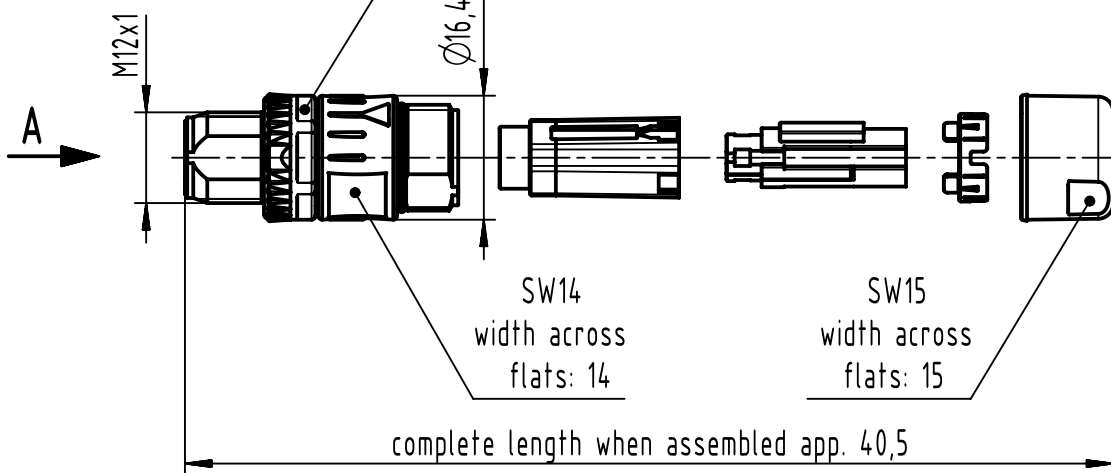
B

C

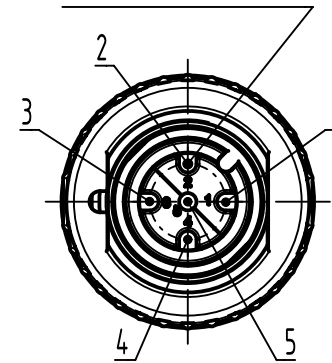
D

assembly aid enclosed

SW15
width across
flats: 15

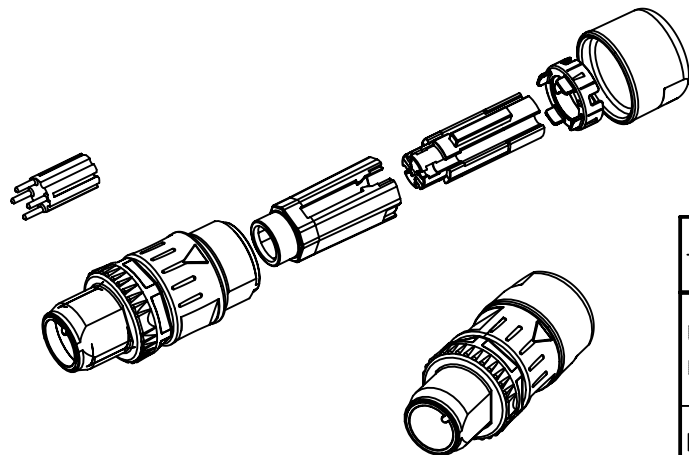


A (2:1)
contact face acc. to
IEC 61076-2-101



order contacts separately

wire gauge	part-no contact
AWG 22-18	09 67 000 3576
AWG 24-20	09 67 000 8576
AWG 26-22	09 67 000 5576



	All rights reserved Department EL PD	All Dimensions in mm Original Size DIN A4		Scale 1:1	Free size tol.	Ref.	
		Created by SERBANA	Inspected by FARCASIU	Standardisation ROEBEN	Date 2023-09-13	State Final Release	
HARTING D-32339 Espelkamp		Title M12-SD-CC-CRIMP-4/5P-ACOD-M-STR-CF				Doc-Key / ECM-Nr. 100761222/UGD/000/D 500000250963	
		Type TB	Number 21038211507		Rev. D	Page 1/1	