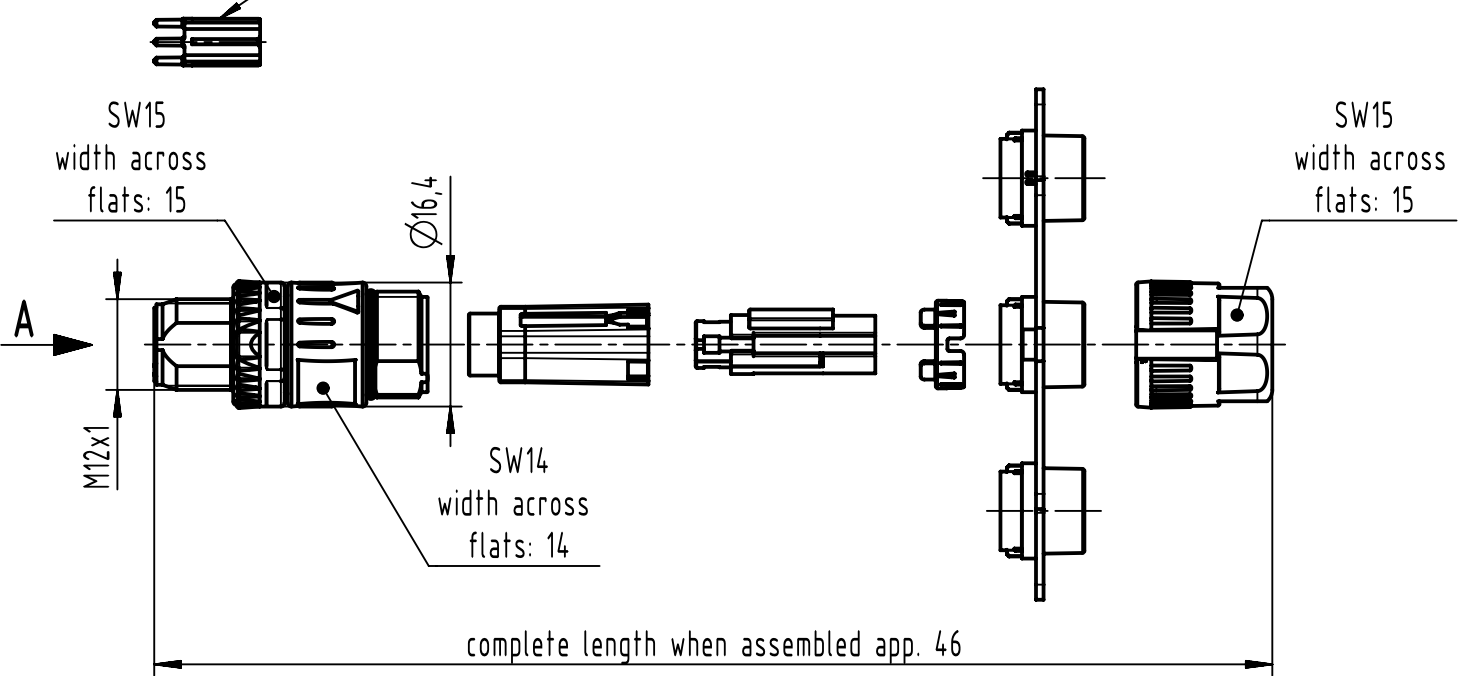


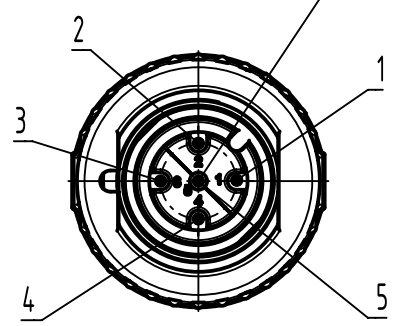
1 2 3 4 5 6

A  
B  
C  
D

assembly aid enclosed

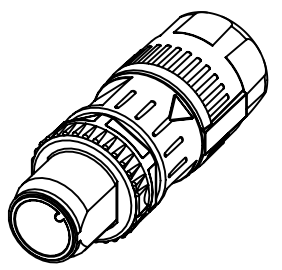


A (2:1)  
contact face acc. to  
IEC 61076-2-101



order contacts separately

cable Ø	wire gauge	contact part-no.
5,7-8,8mm	AWG 26-22	09 67 000 5576
	AWG 24-20	09 67 000 8576
	AWG 22-18	09 67 000 3576



	All rights reserved		Created by SERBANA		Inspected by FARCASIU		Standardisation ROEBEN		Date 2023-09-13		State Final Release	
	Department EL PD		Title M12-SD-CC-CRIMP-5P-ACOD-M-STR-SHLD		Doc-Key / ECM-Nr. 100520037/UGD/000/J 500000250963		Type TB		Number 21038211505		Rev. J Page 1/1	
HARTING D-32339 Espelkamp			All Dimensions in mm Original Size DIN A4		Scale 1:1 Free size tol.		Ref. Sub.					