

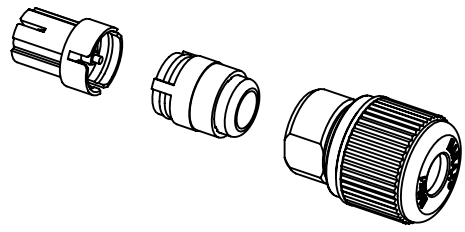
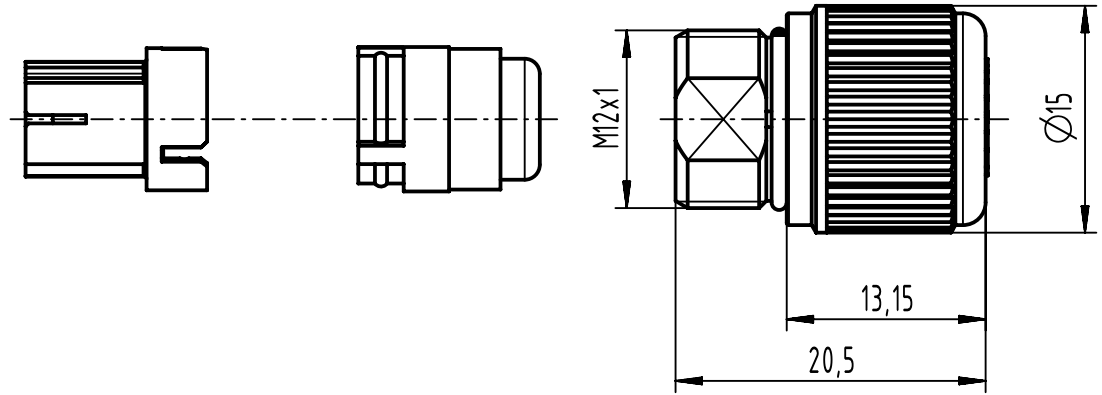
1 2 3 4 5 6


A

B

C

D



	All rights reserved Department EL PD	All Dimensions in mm Original Size DIN A4	Scale 2:1	Free size tol.		Ref.	
		HARTING D-32339 Espelkamp	Created by 105120	Inspected by HASSEBROCKS	Standardisation	Date 2023-06-07	State Final Release
Title M12-ACC-TERMINATION SET 3P						Doc-Key / ECM-Nr. 100216719/UGD/003/B 500000243910	
			Type TB	Number 21010100001		Rev. B	Page 1/1