

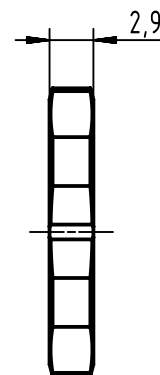
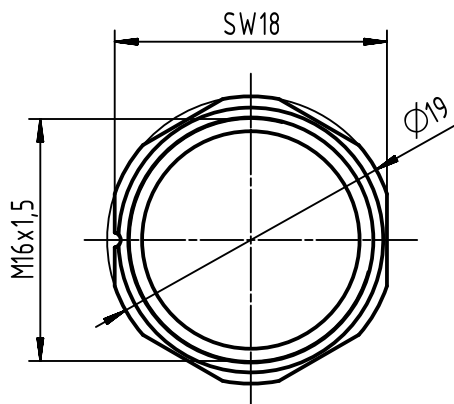
1 2 3 4 5 6


A

B

C

D



	All rights reserved Department EL PD	All Dimensions in mm Original Size DIN A4	Scale 2:1	Free size tol.		Ref.
		HARTING Electronics GmbH D-32339 Espelkamp	Created by EISFELD	Inspected by GRUBES	Standardisation HOFFMANN	Date 2019-05-07
Title Lock nut M16 x 1,5						Doc-Key / ECM-Nr. 100092528/UGD/002/B 500000151390
		Type TB	Number 21010000010			Rev. B
						Page 1/1