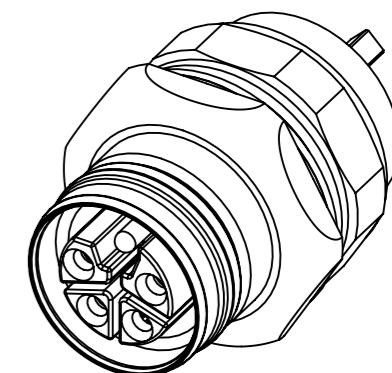
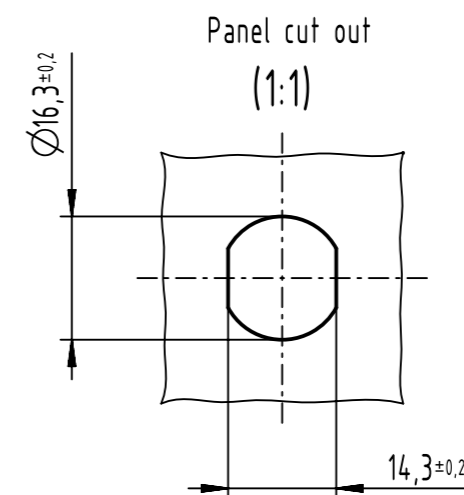
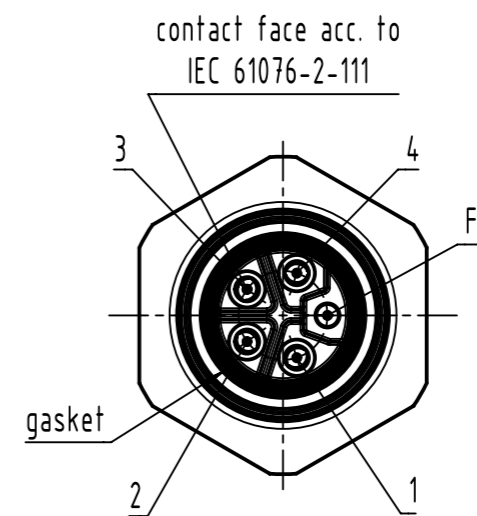
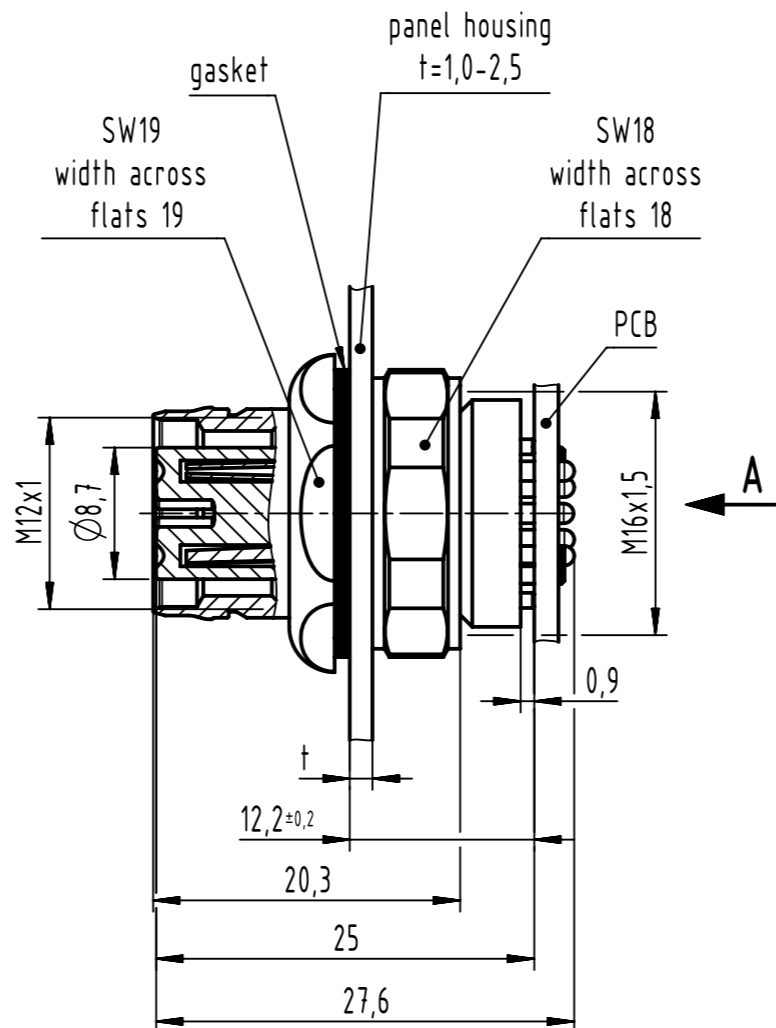
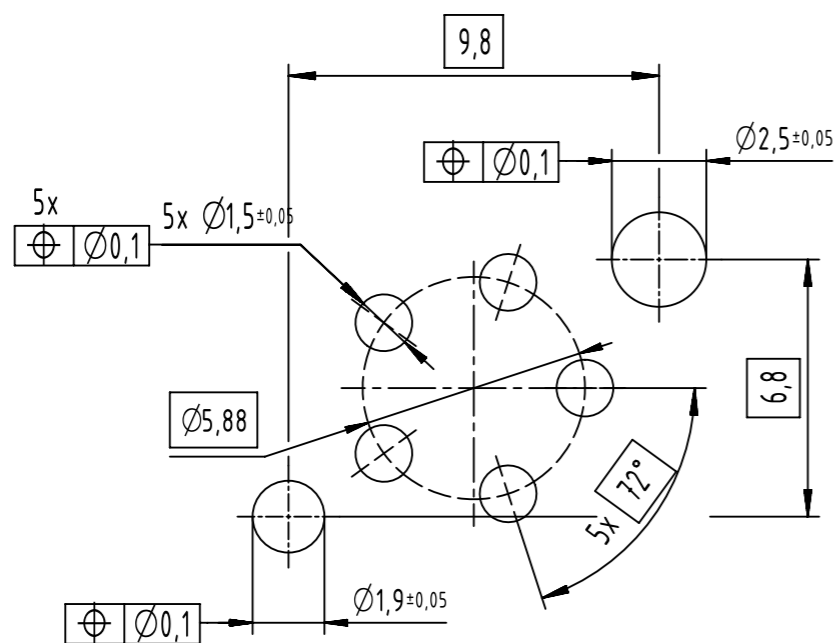


A (5:1)
recommended PCB-layout



	All rights reserved Department EL PD	All Dimensions in mm Original Size DIN A3		Scale 2:1	Free size tol.	Ref. Sub.
		Created by BALSAN	Inspected by FARCASIU	Standardisation ROEBEN	Date 2022-06-17	State Final Release
HARTING D-32339 Espelkamp		Title M12 power receptacle female L-coded front			Doc-Key / ECM-Nr. 100581426/UGD/000/E 50000202494	
		Type TB	Number 21033962531		Rev. E	Page 1/1