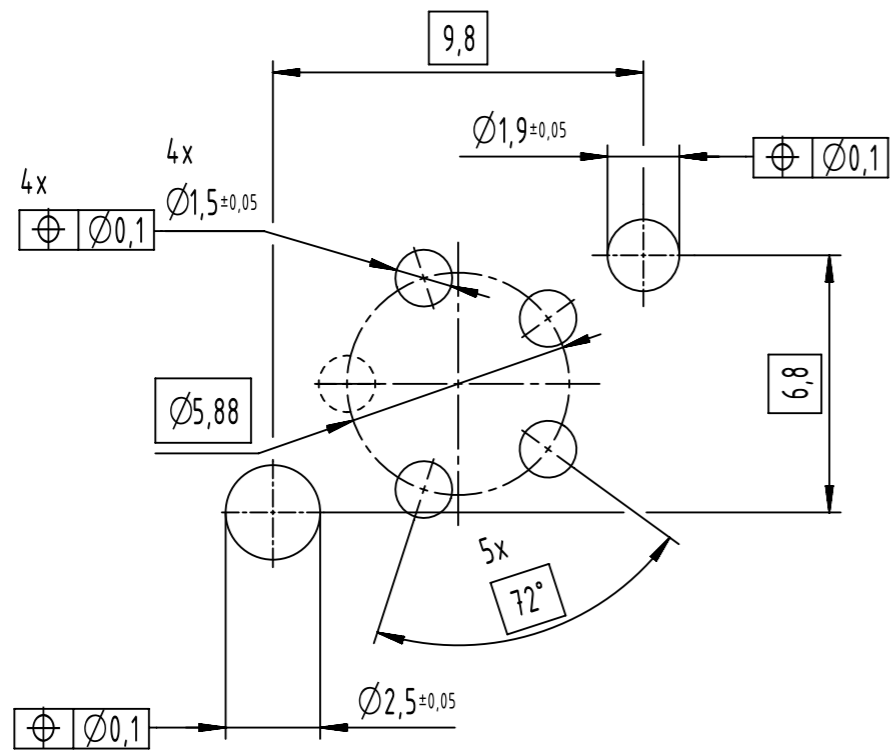
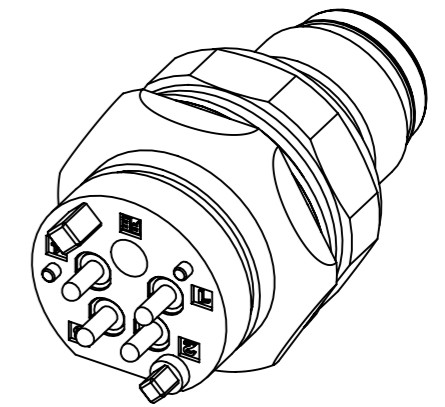
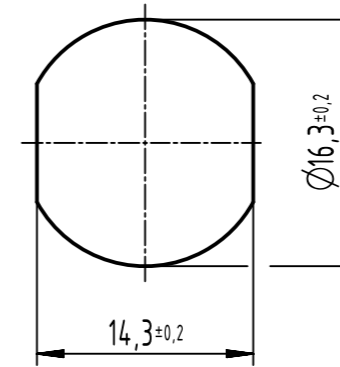


A (5:1)
recommended PCB layout



Panel cut out
(2:1)



	All Dimensions in mm Original Size DIN A3		Scale 2:1	Free size tol.		Ref.	
	All rights reserved		Created by SERBANA	Inspected by FARCASIU	Standardisation ROEBEN	Date 2022-10-07	State Final Release
Department EL PD		Title M12-PCB-THR-2PC-4P-LCOD-M-STR				Doc-Key / ECM-Nr. 100747744/UGD/000/F 50000226499	
HARTING D-32339 Espelkamp		Type TB	Number 21033961533			Rev. F	Page 1/1