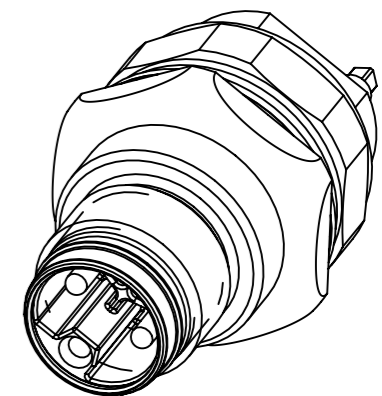
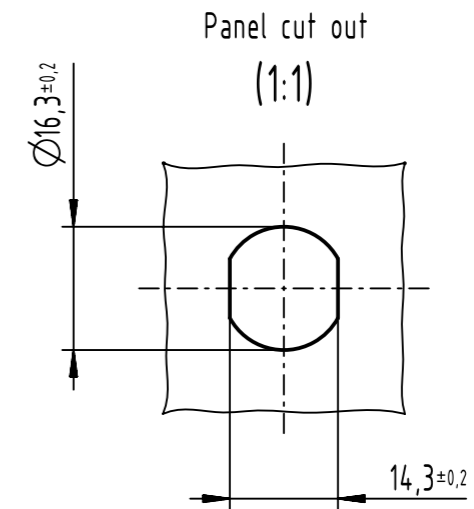
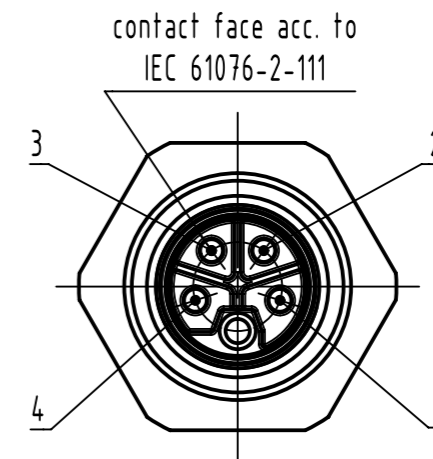
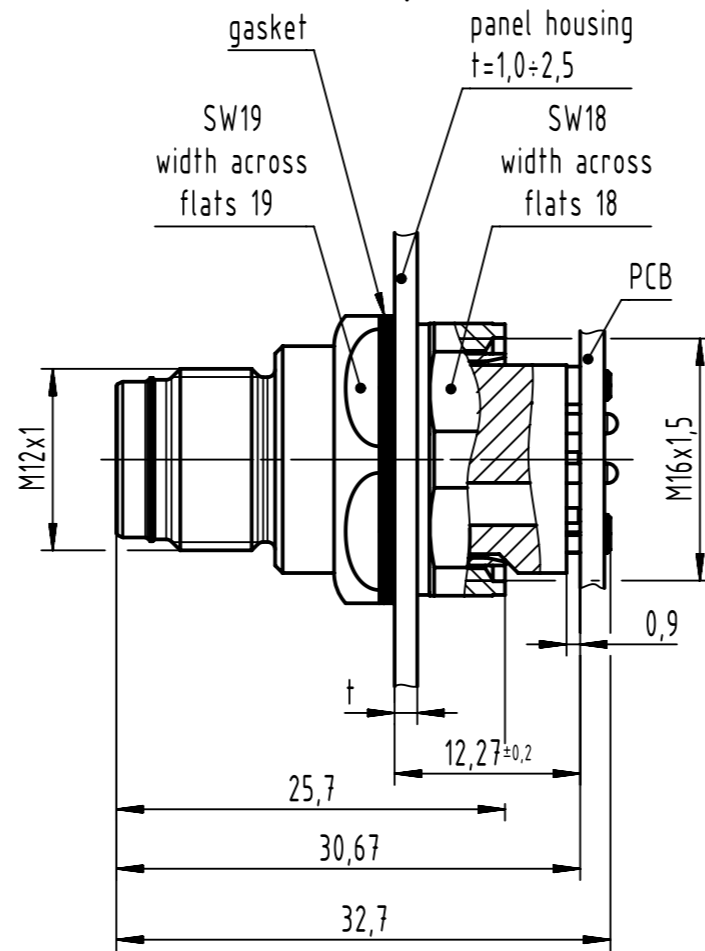
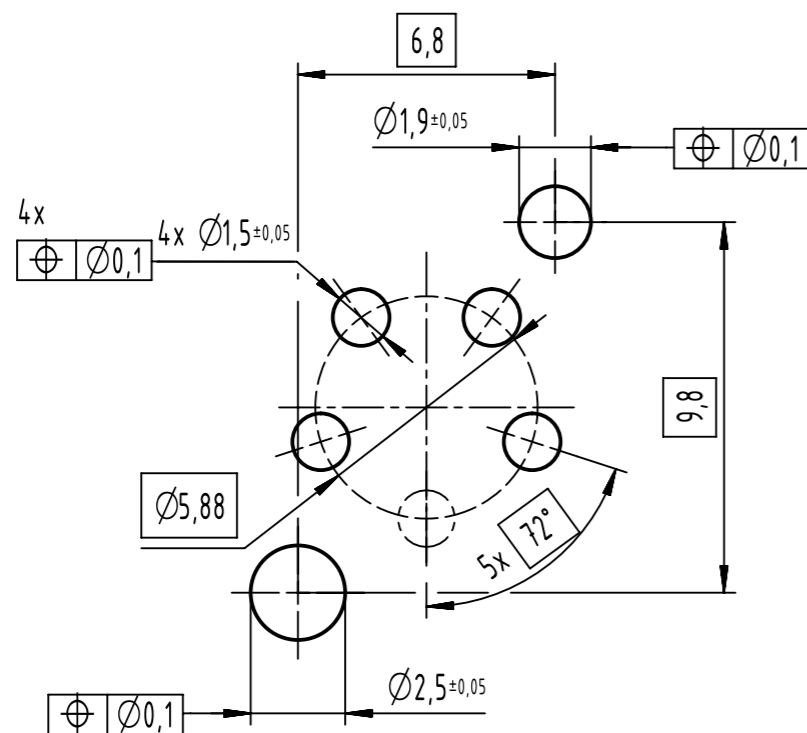


A →



A (5:1)
recommended PCB-layout



	All Dimensions in mm Original Size DIN A3		Scale 2:1	Free size tol.		Ref.
	All rights reserved Department EL PD		Created by BALSAN	Inspected by FARCASIU	Standardisation ROEBEN	Date 2022-06-17
HARTING D-32339 Espelkamp		Title M12 Power PCB male receptacle L-coded w/o FE front				State Final Release
		Type TB	Number 21033961532		Doc-Key / ECM-Nr. 1007524 01/UGD/000/F 500000202494	Rev. F Page 1/1