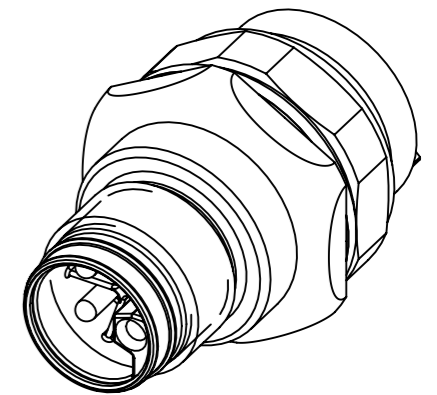
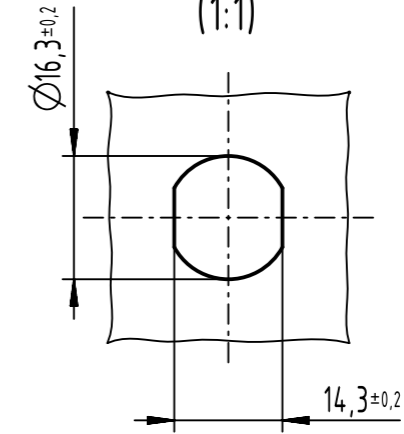
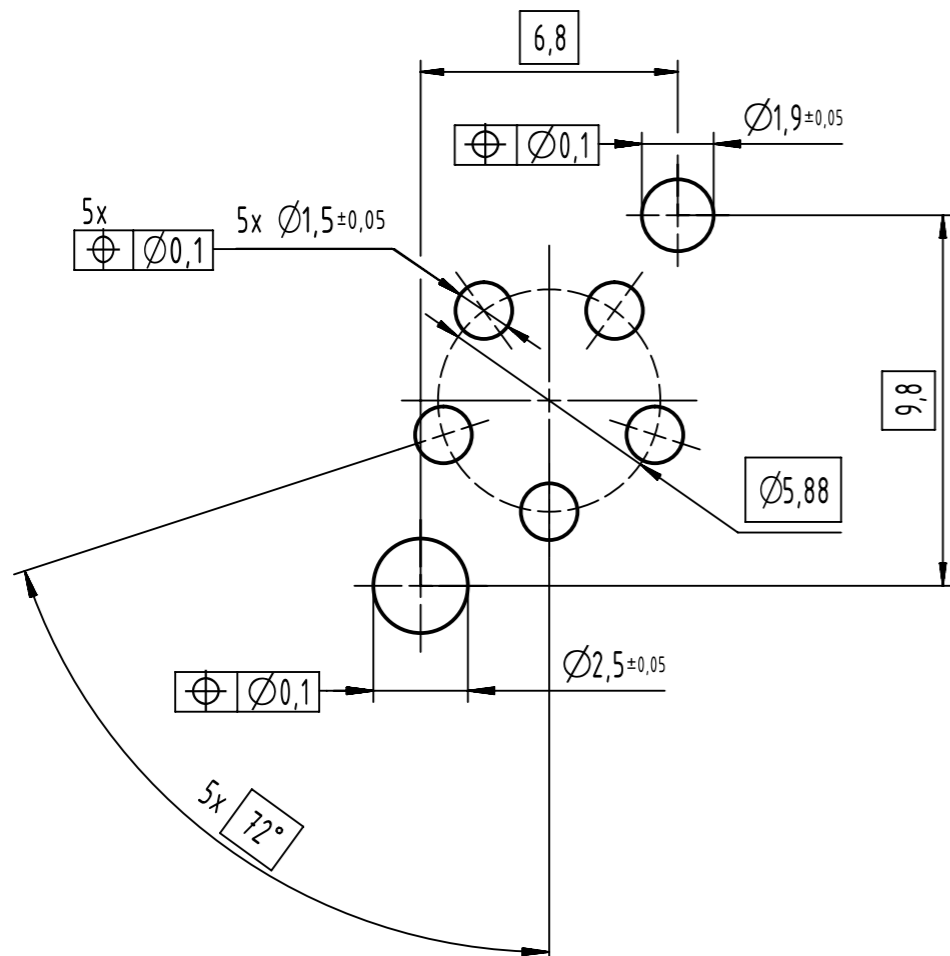


Panel cut out  
(1:1)



A  
recommended PCB-layout



	All Dimensions in mm Original Size DIN A3		Scale 2:1	Free size tol.	Ref.	
	All rights reserved Department EL PD		Created by BALSAN	Inspected by FARCASIU	Standardisation ROEBEN	Date 2022-06-17
HARTING D-32339 Espelkamp		Title M12 Power receptacle male L-coded front			State Final Release	
		Type TB	Number 21033961531		Doc-Key / ECM-Nr. 100581425/UGD/000/E 50000202494	
					Rev. E Page 1/1	