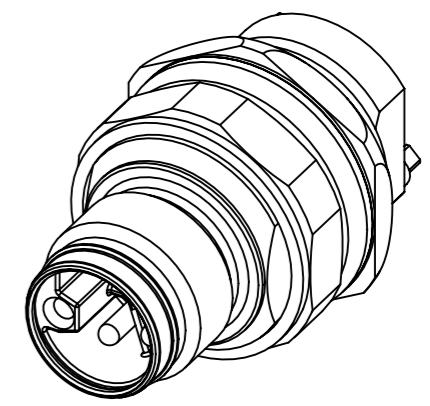
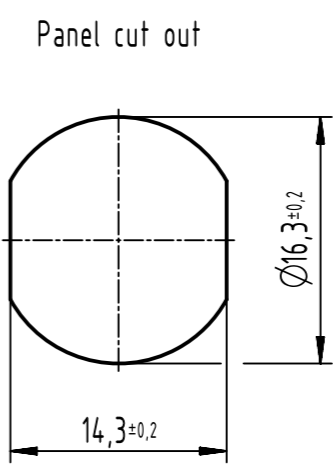
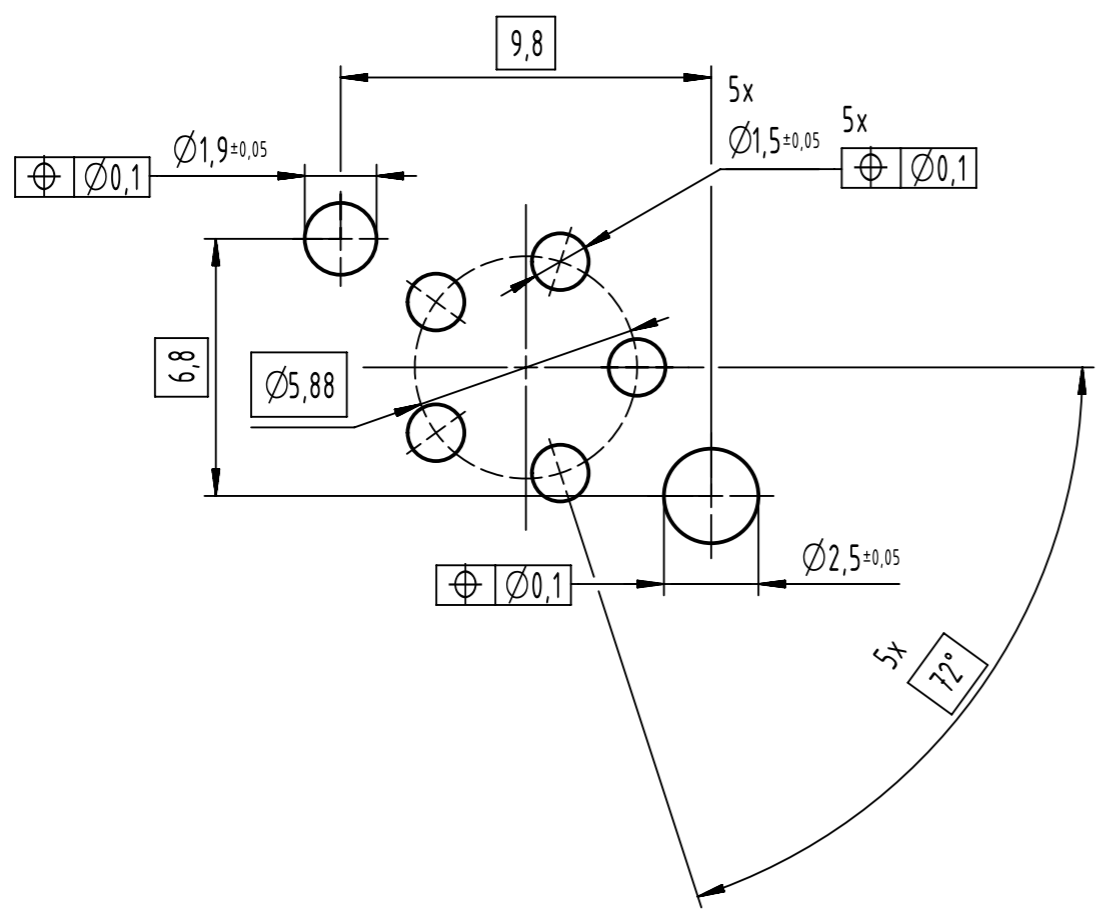


A (5:1)
recommended PCB layout



	All rights reserved	Created by SERBANA	Inspected by FARCASIU	Standardisation ROEBEN	Date 2022-10-07	State Final Release
	Department EL PD	Title M12-PCB-THR-2PC-5P-LCOD-M-STR-SHLD			Doc-Key / ECM-Nr. 100600966/UGD/000/E 500000226499	
HARTING D-32339 Espelkamp	Type TB	Number 21033961530			Rev. E	Page 1/1