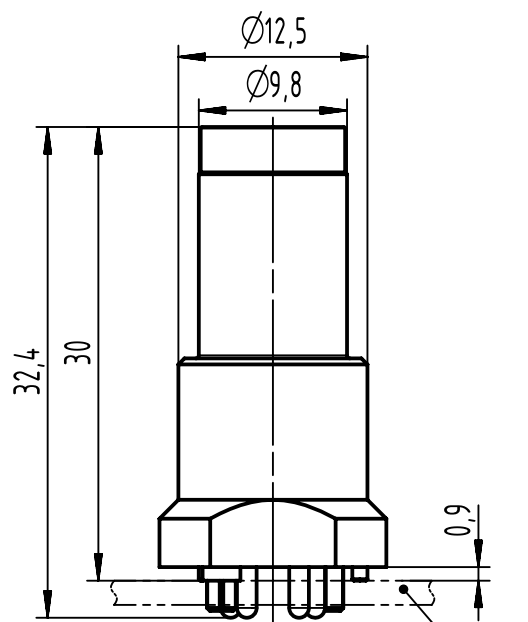
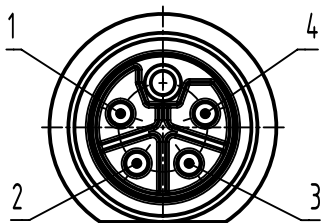


A

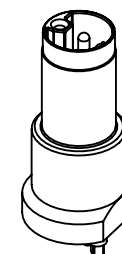
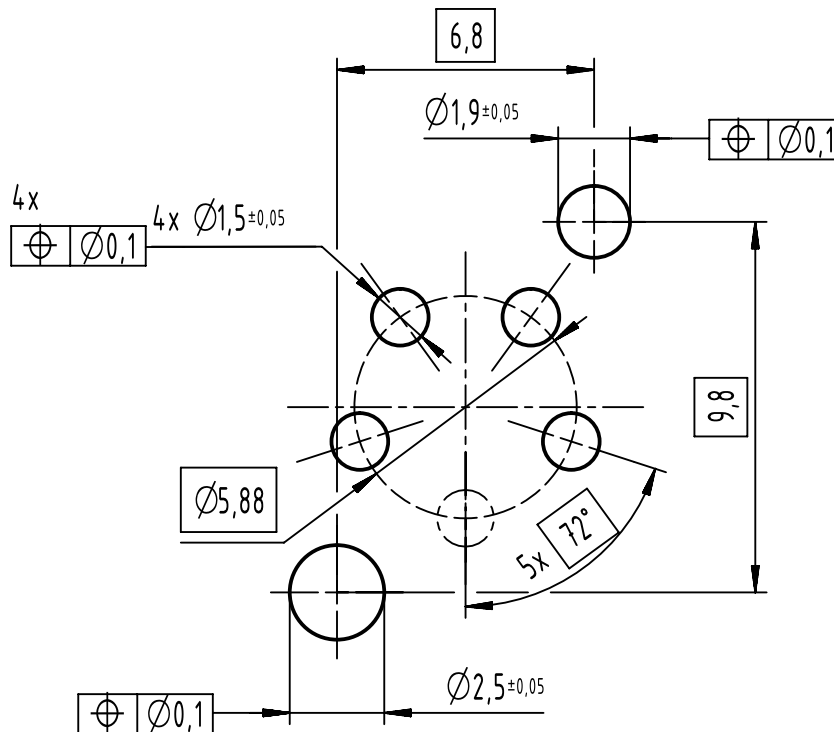


contact face acc. to
IEC 61076-2-111



A (5:1)

recommended PCB-layout



	All Dimensions in mm Original Size DIN A4		Scale 2:1	Free size tol.		Ref.
						Sub.
	All rights reserved		Created by BALSAN	Inspected by FARCASIU	Standardisation ROEBEN	Date 2022-06-17
	Department EL PD					State Final Release
HARTING D-32339 Espelkamp			Title M12 Power PCB receptacle male L-coded w/o FE			Doc-Key / ECM-Nr. 100747745/UGD/002/E 500000202494
			Type TB	Number 21033961506		Rev. E
					Page 1/1	