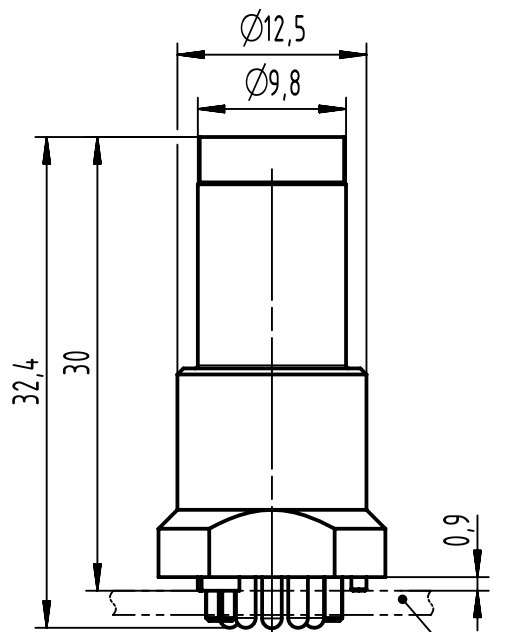
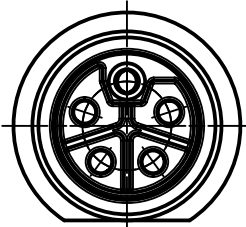


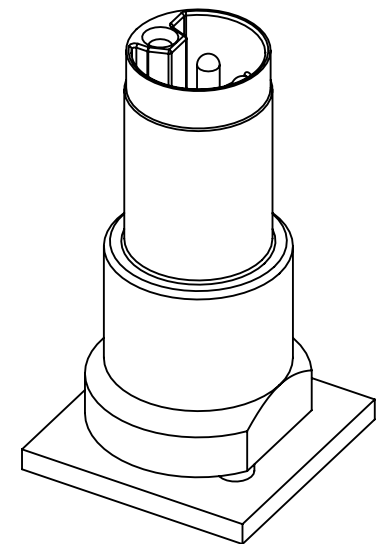
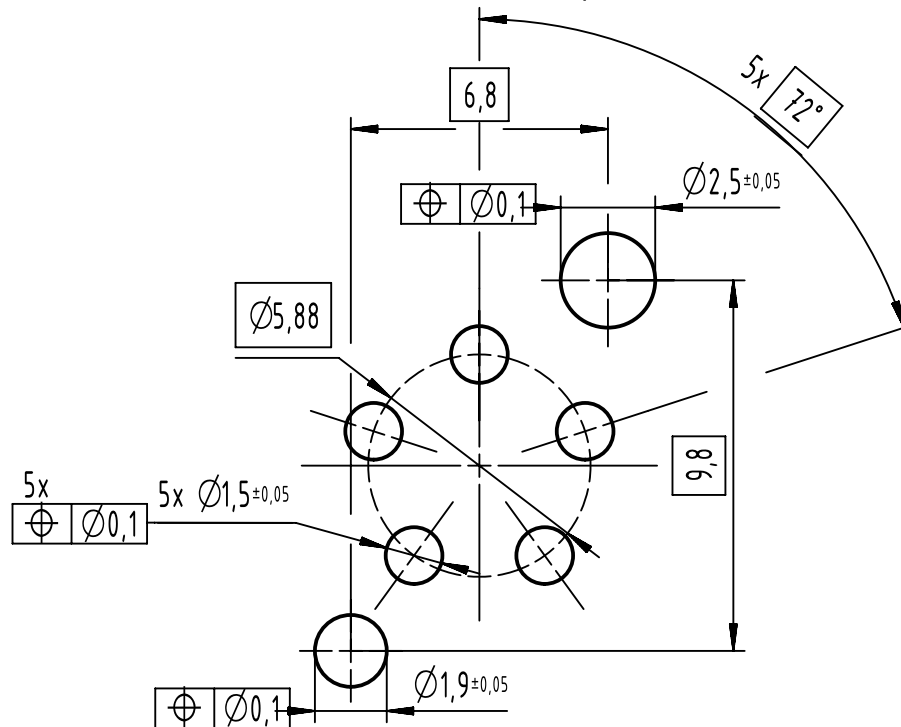
A



contact face acc. to IEC 61076-2-111



A (5:1)
recommended PCB-layout



-with pick & place cap

	All rights reserved Department EL PD	All Dimensions in mm Original Size DIN A4		Scale 2:1	Free size tol.		Ref.		
		Created by BALSAN		Inspected by FARCASIU		Standardisation ROEBEN		Date 2022-06-17	
HARTING D-32339 Espelkamp		Title M12 Power Male PCB receptacle L-coded						State Final Release	
		Type TB		Number 21033961505		Doc-Key / ECM-Nr. 100600514 / UGD/002/E 500000202494		Rev. E Page 1/1	